

## 宁波杰克龙精工有限公司

地址：中国·宁波·慈城城西西路1号  
Address: No.1 Chengxi West Road Cicheng Ningbo China  
销售热线(Sales hotline): +86-574-87597291  
服务热线(Service hotline): +86-574-87597992  
全国免费服务热线(The free service hotline): 800-9574-099  
投诉专线(Complaint special line): +86-574-87574567  
传真(Fax): +86-574-87574862-1318  
邮编(P.C.): 315034  
网址(Http): www.jklong.com  
电子信箱(E-mail): sales@jklong.com

JKLONG-SI01-11.2019

版权所有 禁止仿冒 All information are subject to changes without notice all copyright are reserved



PRECISE PROCESSING, OUTSTANDING SERVICE

卓越精工 | 自然出众

综合产品目录 Integrated Catalog

JKLONG 杰克龙®  
www.jklong.com

我们的使命：创造客户价值 打造百年公司

我们的愿景：成为行业标杆 为中国工业强国做贡献

核心价值观：学习 团队 诚信 责任 开放

企业哲学：大道至简 千锤百炼

企业精神：天天求变 永不自满 勇于竞争 追求卓越

发展理念：品牌共创 成就共享 合作共赢 和谐共建

经营理念：依法经营 诚信经商 自主创新 科学发展

# 目录

# Content

公司简介 Company Profile	生产设备 Production Equipment	市场与销售 Market and Sale	燃气阀门系列 Gas valves Series	采暖产品系列 HVAC Series	法兰系列 Flanged Valves Series	小五金系列 Hardware Series	现有其它产品 Other Available Items
			14-32	38-49	54-56	62-63	68-69
品牌价值 Brand Value	研发与创新 R&D and Innovations	品质管理 Quality Management	水司系列 Water Company Series	中央空调系列 Central Air-conditioning Series	PPR阀门系列 PPR Valves Series	给排水阀门系列 Water Supply&Drainage Valves Series	水表系列 Water Meters Series
			02-13	33-37	50-53	57-61	64-67



## Company Profile 公司简介

宁波杰克龙精工有限公司始建于1998年8月，是中国500强企业—宁波金田铜业集团下属子公司。宁波杰克龙精工有限公司是专业生产各类铜阀门、铸钢铸铁阀门、燃气阀、水暖卫浴、水表及各类管件等，是一家集研发、制造、销售和服务于一体的高新技术企业，产品广泛应用于给排水系统、燃气系统、城市供热、暖通空调及产品配套等领域，销售网络遍布全国，销售网点近400家，在中国中、低压民用铜阀门领域资深加工中名列前茅。

杰克龙精工全额投资法人宁波金田铜业集团，是中国最大的铜加工企业之一，2018年位列中国企业500强第238位。公司设立的企业技术中心，凭借自身完善的研发体制、雄厚的科技实力和丰硕的科研成果，被国家发改委认定为“国家级企业技术中心”。杰克龙精工先后通过了ISO9001、ISO14001和ISO45001三大管理体系认证，并于2018年11月获得“浙江制造认证证书”，是国内首家水阀、燃气阀产品双认证的阀门制造企业，被认定为“高新技术企业”，杰克龙精工被评为“中国阀门知名品牌”。

公司坚持科技兴企理念，专注于产品的研发与技术创新。配备了行业领先的自动化生产设备和检测设备，以定制金田铜棒为原料，保证了产品的品质，公司专注于产品的研发与技术创新，拥有国家专利技术100余项，制定/参与国家标准20余项。公司率先引进智能化、国际化的生产装备及检测装备，拥有国际最先进、最高效、最节能环保的意大利进口智能锻造线，拥有批量的数字化高精多轴水车组合专机，拥有进口的全自动智能球阀装备线以及进口三坐标等装备。凭借一整套严格的产品管理体系和从原料到成品的全过程监控，有力保障了杰克龙产品的高品质，打造了杰克龙出众的品牌优势，赢得了广大用户的认可与信任。

“资源有限，利用无限”，公司坚持走循环经济与清洁生产和谐发展之路，秉承“天天求变，永不自满，勇于竞争，追求卓越”的企业精神，致力于让“杰克龙”成为业内第一品牌和世界著名品牌，用我们真诚的服务，开启您的美好生活。

Ningbo Jiekelong Precision Manufacturing Co., Ltd. founded in August 1998, is the wholly-owned subsidiary company of Ningbo Jintian Copper (Group) Co., Ltd, of which is China Top 500 Enterprises. The company is dedicating in R&D, manufacture, sales and service of brass valves. Products are widely used in the fields of water supply and drainage system, gas system, urban heating, HVAC, ancillary products, etc., which mainly cover brass valve, cast iron valve, gas ball valve, heating equipment and sanitary ware, water meter and various kinds of pipe fittings. Nearly 400 sales outlets throughout 32 provinces of the country contribute to our wide sales network with top reputation in the processing of low and medium civil brass valves in China.

Ningbo Jiekelong Precision Manufacturing Co., Ltd.'s full investment in legal person Ningbo Jintian Copper (Group) is one of the largest copper processing enterprises in China. In 2018, it ranked 238th among the top 500 Chinese enterprises. The enterprise technology center established by the company has been recognized as a "national-level enterprise technology center" by the China National Development and Reform Commission for its perfect R&D system, strong scientific and technological strength and fruitful scientific research results. Jiekelong has passed the three management systems certifications of ISO9001, ISO14001 and ISO45001, and obtained the "Zhejiang Manufacturing Certification" in November 2018. It is the first valve manufacturer in China that has double certification of water valve and gas valve products. As a "high-tech enterprise", Jiekelong was named "China Valve Famous Brand".

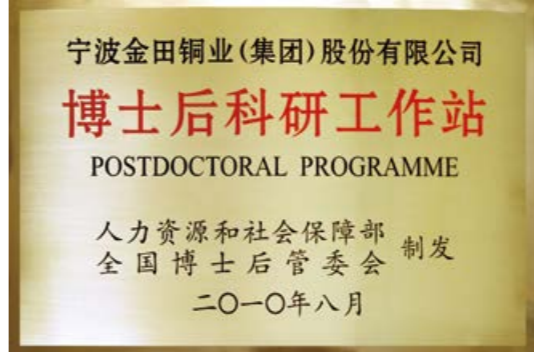
The company always insists on the principle of science and technology, focusing on product research and development and technological innovation. Equipped with industry-leading automated production equipment and testing equipment, Company values high quality by exclusively applying Jintian brass bar, adheres to the concept of science and technology enterprise. The company focuses on product research and development and technological innovation, and has more than 100 national patent technologies, and formulated/participated in national standards. The company takes the lead in introducing intelligent and internationalized production equipment and testing equipment. It has the most advanced, most efficient, energy-saving and environmentally-friendly Italian imported intelligent forging line. It has a batch of digital high-precision multi-axis waterwheel combination special plane, which has imported all. Automatic intelligent ball valve equipment line and imported three coordinates and other equipment. With a set of strict product management system and monitoring from raw materials to finished products, it has effectively guaranteed the high quality of Jiekelong products and created Jiekelong's outstanding brand advantage, which has won the recognition and trust of the majority of users.

"The resources are limited, the use of unlimited", the company adheres to the harmonious development of circular economy and clean production, adhering to the enterprise spirit of "everyday change, never complacent, courageously competitive, and pursue excellence", we are willing to collect our wisdom to make the "JKLong" become the first brand even the world famous brand of this line with continuously offering fresher and better service. Service exists everywhere, details show sincerity. Our faithful service is the key to your better life.

## 研发与创新 R&D And Innovations

拥有一支具有丰富设计经验的研发队伍，采用先进的计算机辅助设计软件和三维造型软件，设计的产品结构合理，外形美观，重量适中，具有很强的市场竞争力。拥有先进的加工设备及生产工艺，全力开发新产品以满足市场的需要，并多次获得国家专利。

We have a R&D team with rich experience in product design, and apply the leading CAD and 3-D modeling software. The products designed by us have reasonable construction, beautiful appearance, moderate weight and very good competitiveness. We also own advanced production equipment and technologies, and make great efforts to develop new products to meet the market demands. Besides we are granted many national patents.



## 生产设备 Production Equipment

先进的生产设备，引进进口阀门专机，采用美标气压、水压测试，严格按照国际标准进行产品全检，尽显一流品质。技术专家全程监督生产，保证产品的始终高品质。产品广泛使用在石油、化工、污水处理、消防、建筑、自来水等行业中。

With leading production equipment and imported valve, we execute gas special plane & water pressure tests as per American standards. We carry out 100% product tests strictly according to international standards. In order to ensure first-class quality, our technical experts monitor the entire production process and guarantee high product quality all the time. Our products are widely applied in petroleum, chemical, wastewater treatment, fire protection, construction and drinkable water industries.





JKLONG VALVES

生产设备 Production Equipment



## 生产设备 Production Equipment

先进的生产设备，引进进口阀门专机，采用美标气压、水压测试，严格按照国际标准进行产品全检，尽显一流品质。技术专家全程监督生产，保证产品的始终高品质。产品广泛使用在石油、化工、污水处理、消防、建筑、自来水等行业中。

With leading production equipment and imported valve, we execute gas special plane & water pressure tests as per American standards. We carry out 100% product tests strictly according to international standards. In order to ensure first-class quality, our technical experts monitor the entire production process and guarantee high product quality all the time. Our products are widely applied in petroleum, chemical, wastewater treatment, fire protection, construction and drinkable water industries.



# 品质管理 Quality Management

拥有先进的检测设备，有一支经验丰富的品质管理团队。通过ISO9001认证，严格按照质量管理体系的要求执行。质量要求做到精益求精，产品100%检测，通过持续不断的改进来满足客户的需求。

The company has advanced inspection instruments and a quality management team with rich experience. It has been certified by ISO9001 quality management system, and all its products are inspected strictly according to quality requirements so as to continually improve its product quality to meet customer's requirements.



JKLONG VALVES

品质管理 Quality Management



- 引进进口阀门专机28台/套
- 采用美标气压、水压测试
- 严格按照国际标准进行产品全检
- 企业通过ISO9001质量体系认证
- 企业通过ISO14001环境管理体系认证
- 企业通过ISO45001职业健康安全体系认证
- It introduces over 28 sets of the imported valve special-purpose machine tool
- It employs American standard air & water pressure testing
- It strictly implements the full product inspection according to the international standard
- Our business passes ISO9001 quarantine somatotype
- Our business passes ISO14001 manage somatotype
- Our business passed ISO45001 Occupational Health and Safety Assessment Series

## 严格控制 保证品质

Strict Control | Guarantee Quality

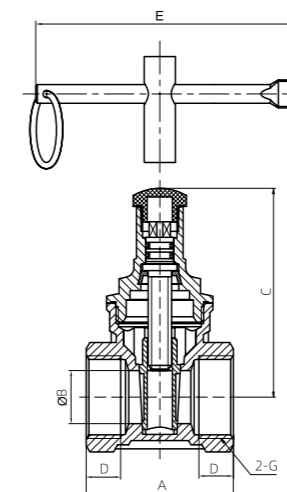


# 水司系列 WATER COMPANY SERIES



## 水司系列 WATER COMPANY SERIES

## JKLONG 杰克龙®



### 9118 黄铜锁式闸阀 Brass Lockable Gate Valve (Z15W-16T)

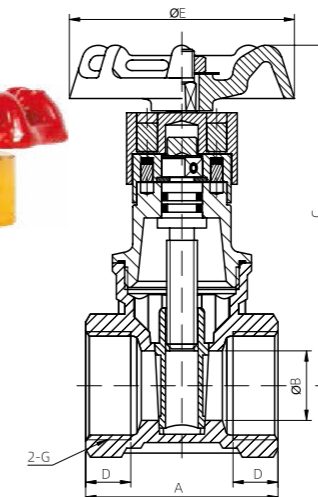
#### 技术规范

公称压力: 1.6 MPa  
工作介质: 水、非腐蚀性液体  
工作温度: -20°C ≤ t ≤ 120°C  
圆柱管螺纹符合ISO228标准

#### Technical Standard

Nominal Pressure: 1.6 MPa  
Working Medium: Water, Non-causticity liquid  
Working Temperature: -20°C ≤ t ≤ 120°C  
Parallel Pipe Thread to ISO228

DN	A	B	C	D	E	G
15	43.5	13	62.3	10.5	75	1/2
20	47	17	66.8	11	75	3/4
25	52	21	75	13	75	1
32	57	27	87	13.5	75	1 1/4
40	60	34	98	14	120	1 1/2
50	67	45	115.6	15	120	2



### 9119 黄铜磁性锁式闸阀 Brass Magnetic Lockable Gate Valve (Z15W-16T)

#### 技术规范

公称压力: 1.6 MPa  
工作介质: 水、非腐蚀性液体、  
饱和蒸汽(≤0.6MPa)  
工作温度: -10°C ≤ t ≤ 100°C  
圆柱管螺纹符合ISO228标准

#### Technical Standard

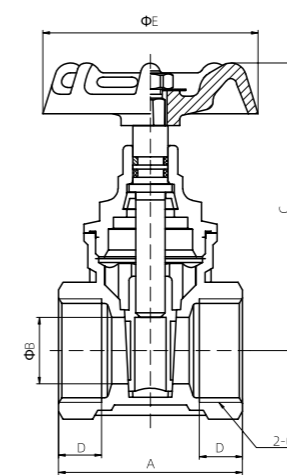
Nominal Pressure: 1.6 MPa  
Working Medium: Water, Non-causticity liquid,  
Saturated steam(≤0.6MPa)  
Working Temperature: -10°C ≤ t ≤ 100°C  
Parallel Pipe Thread to ISO228

#### 手轮

DN	A	B	C	D	E	G
15	43.5	13	75.5	10.5	54	1/2
20	47	17	83.2	11	54	3/4
25	52	21	90.2	13	54	1

#### 长手柄锁

DN	A	B	C	D	G
32	57	27	77.5	13.5	1 1/4
40	60	34	90.3	14	1 1/2
50	67	45	108.8	15	2



### 169 黄铜闸阀 Brass Gate Valve (Z15W-16T)

#### 技术规范

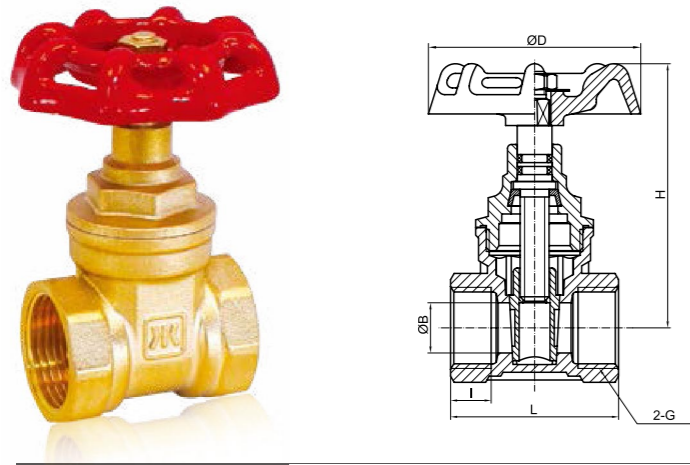
公称压力: 1.6 MPa  
工作介质: 水、非腐蚀性液体  
工作温度: -20°C ≤ t ≤ 120°C  
圆柱管螺纹符合ISO228标准

#### Technical Standard

Nominal Pressure: 1.6 MPa  
Working Medium: Water, Non-causticity liquid  
Working Temperature: -20°C ≤ t ≤ 120°C  
Parallel Pipe Thread to ISO228

DN	A	B	C	D	E	G
15	43.5	13	67.4	10.5	54	1/2
20	47	17	72.2	11	54	3/4
25	52	21	83	13	60	1
32	57	27	98	13.5	72	1 1/4
40	60	34	109	14	72	1 1/2
50	69	45	132	15	80	2





**167** 黄铜闸阀  
Brass Gate Valve (Z15W-16T)

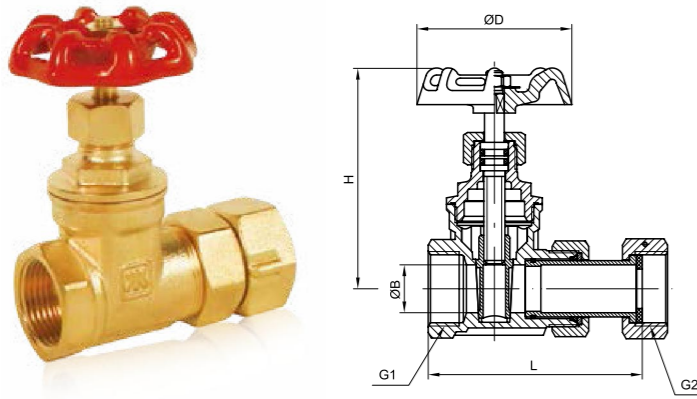
技术规范

公称压力: 1.6 MPa  
工作介质: 水、非腐蚀性液体  
工作温度: -20°C ≤ t ≤ 120°C  
圆柱管螺纹符合ISO228标准

Technical Standard

Nominal Pressure: 1.6 MPa  
Working Medium: Water, Non-causticity Liquid  
Working Temperature: -20°C ≤ t ≤ 120°C  
Parallel Pipe Thread to ISO228

DN	D	H	B	L	I	G
15	54	60.3	10.3	43	10	1/2
20	54	68.9	15	44.5	10.5	3/4
25	60	79.3	20	49	12	1
32	72	92.5	25	55	13.5	1 1/4
40	72	106	32	57	13.5	1 1/2
50	80	120	39	65	14.5	2



**9109** 黄铜抽杆水表闸阀  
Brass Gate Valve for Water Meter (Z15W-16T)

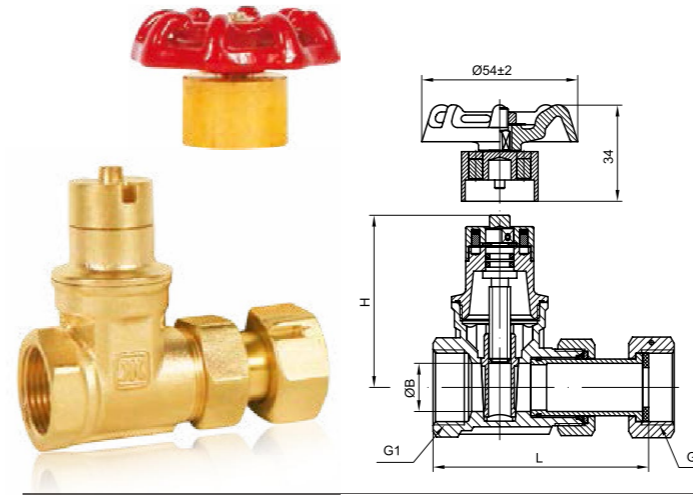
技术规范

公称压力: 1.6 MPa  
工作介质: 水、非腐蚀性液体  
工作温度: -20°C ≤ t ≤ 120°C  
圆柱管螺纹符合ISO228标准

Technical Standard

Nominal Pressure: 1.6 MPa  
Working Medium: Water, Non-causticity Liquid  
Working Temperature: -20°C ≤ t ≤ 120°C  
Parallel Pipe Thread to ISO228

DN	L	B	D	H	G1	G2
15×20	73.5 ~ 85.5	13	54	73	G1/2	G3/4
20×20	76 ~ 88	17	54	78.4	G3/4	G3/4
20×25	76.5 ~ 88.5	17	54	78.4	G3/4	G1
25×25	82.5 ~ 94.5	21	60	84.4	G1	G1



**911401** 黄铜磁性锁式水表闸阀  
Brass Magnetic Lockable Gate Valve for Water Meter (Z15W-16T)

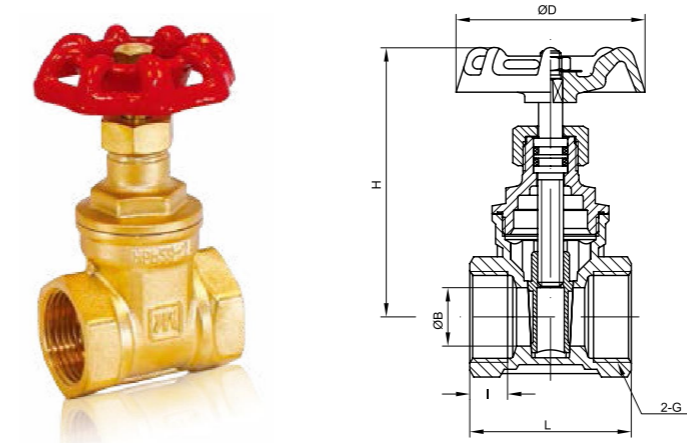
技术规范

公称压力: 1.6 MPa  
工作介质: 水、非腐蚀性液体  
工作温度: -10°C ≤ t ≤ 100°C  
圆柱管螺纹符合ISO228标准

Technical Standard

Nominal Pressure: 1.6 MPa  
Working Medium: Water, Non-causticity Liquid  
Working Temperature: -10°C ≤ t ≤ 100°C  
Parallel Pipe Thread to ISO228

DN	L	B	H	G1	G2
15×20	73.5 ~ 85.5	13	53	G1/2	G3/4
20×20	76 ~ 88	17	60.7	G3/4	G3/4
20×25	76.5 ~ 88.5	17	60.7	G3/4	G1
25×25	82.5 ~ 94.5	21	67.7	G1	G1



**9121** 黄铜抽杆式闸阀  
Brass Pumped Leveraged Gate Valve (Z15W-16T)

技术规范

公称压力: 1.6 MPa  
工作介质: 水、非腐蚀性液体  
工作温度: -20°C ≤ t ≤ 120°C  
圆柱管螺纹符合ISO228标准

Technical Standard

Nominal Pressure: 1.6 MPa  
Working Medium: Water, Non-causticity liquid  
Working Temperature: -20°C ≤ t ≤ 120°C  
Parallel Pipe Thread to ISO228

DN	L	B	D	H	I	G
15	43.5	13	54	75	10.5	1/2
20	47	17	54	78.5	11	3/4
25	52	21	60	84.4	13	1
32	57	27	72	98	13.5	1 1/4
40	60	34	72	110	14	1 1/2
50	69	45	80	135	16	2

**9108** 黄铜锁式水表闸阀  
Brass Lockable Gate Valve for Water Meter (Z15W-16T)

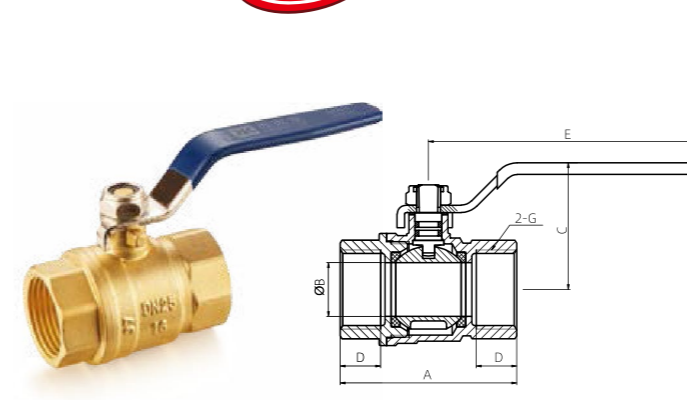
技术规范

公称压力: 1.6 MPa  
工作介质: 水、非腐蚀性液体  
工作温度: -20°C ≤ t ≤ 120°C  
圆柱管螺纹符合ISO228标准

Technical Standard

Nominal Pressure: 1.6 MPa  
Working Medium: Water, Non-causticity Liquid  
Working Temperature: -20°C ≤ t ≤ 120°C  
Parallel Pipe Thread to ISO228

DN	L	B	H	G1	G2
15×20	73.5 ~ 85.5	13	62.3	G1/2	G3/4
20×20	76 ~ 88	17	66.8	G3/4	G3/4
20×25	76.5 ~ 88.5	17	66.8	G3/4	G1
25×25	82.5 ~ 94.5	21	74.6	G1	G1



**9266** 黄铜球阀  
Brass Ball Valve (Q11F-16T)

技术规范

公称压力: 1.6 MPa  
工作介质: 水、非腐蚀性液体  
工作温度: -10°C ≤ t ≤ 100°C  
圆柱管螺纹符合ISO228标准

Technical Standard

Nominal Pressure: 1.6 MPa  
Working Medium: Water, Non-causticity liquid  
Working Temperature: -10°C ≤ t ≤ 100°C  
Parallel Pipe Thread to ISO228

DN	A	B	C	D	E	G
15	52	13	39.1	12.5	90	1/2
20	59	18	42.4	13.5	90	3/4
25	71	24	55.3	14.5	110	1
32	81	30	60.8	15.5	140.2	1 1/4
40	93.2	37	66.7	16.5	140.2	1 1/2
50	111	49.5	78.2	18.5	155.3	2

**9267** 黄铜球阀  
Brass Ball Valve (Q11F-16T)

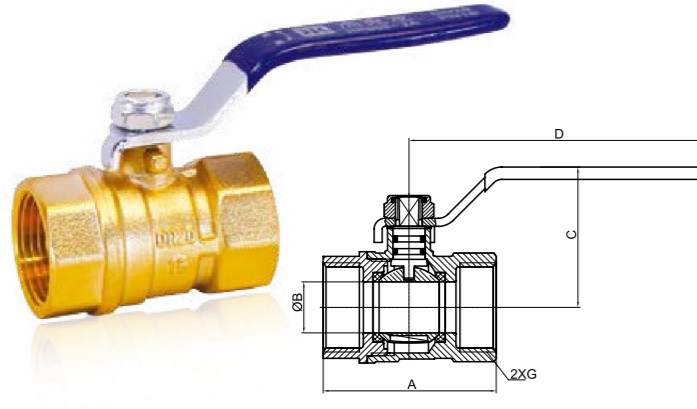
技术规范

公称压力: 1.6 MPa  
工作介质: 水、非腐蚀性液体  
工作温度: -10°C至100°C  
圆柱管螺纹符合ISO228标准

Technical Standard

Nominal Pressure: 1.6 MPa  
Working Medium: Water, Non-causticity liquid  
Working Temperature: -10°C至100°C  
Parallel Pipe Thread to ISO228

DN	Size	A	B	C	D	G
15	1/2	50.5	12.5	38.7	90	1/2
20	3/4	54	15	40.3	90	3/4
25	1	64.5	19	52.3	110	1
32	1 1/4	74	24	56.5	140	1 1/4
40	1 1/2	84	30	61	140	1 1/2
50	2	100	37	69.5	155	2



**278** 黄铜表前锁式止回球阀  
Brass Lockable Check Valve Before  
Water Meter(Q11F-16T)

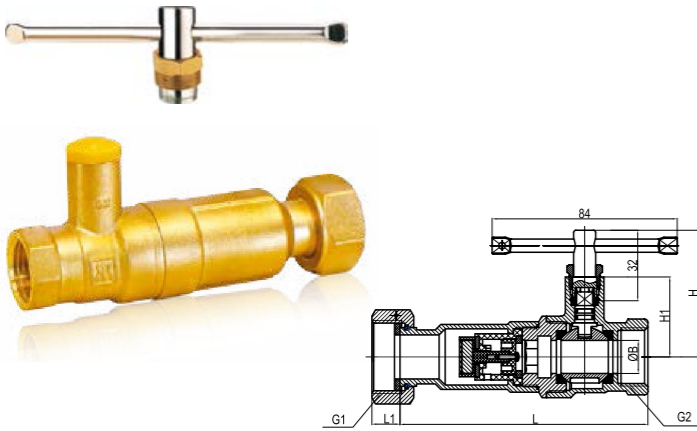
技术规范

公称压力: 1.6 MPa  
工作介质: 水、非腐蚀性液体  
工作温度: -10°C至100°C  
圆柱管螺纹符合ISO228标准

Technical Standard

Nominal Pressure: 1.6 MPa  
Working Medium: Water, Non-causticity liquid  
Working Temperature: -10°C至100°C  
Parallel Pipe Thread to ISO228

DN	B	L	L1	H	H1	G1	G2
15	12.5	107.3	10	55.5	34.3	G3/4	G1/2
20	15	112.5	12.8	57.5	36.3	G1	G3/4



**229** 黄铜水表球阀  
Brass water meter ball valve(Q11F-16T)

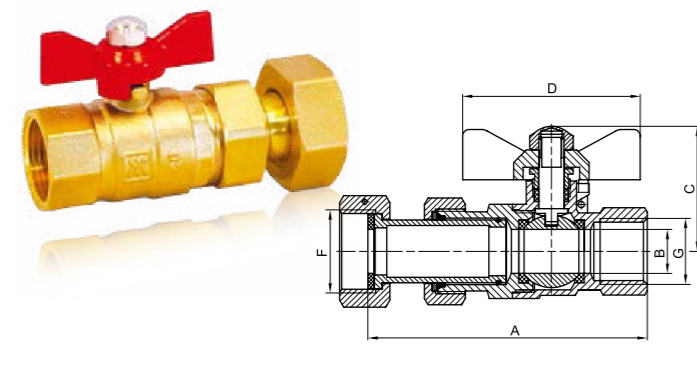
技术规范

公称压力: 1.6 MPa  
工作介质: 水、非腐蚀性液体  
工作温度: -10°C至100°C  
圆柱管螺纹符合ISO228标准

Technical Standard

Nominal Pressure: 1.6 MPa  
Working Medium: Water, Non-causticity liquid  
Working Temperature: -10°C至100°C  
Parallel Pipe Thread to ISO228

DN	Size	A	B	C	D	F	G
15	1/2	89-103	14	41	56.5	3/4	1/2
20	3/4	94-106	15	42.9	56.5	1	3/4



**317** 黄铜截止阀 (软密封)  
Brass Stop Valve (J11F-16T)

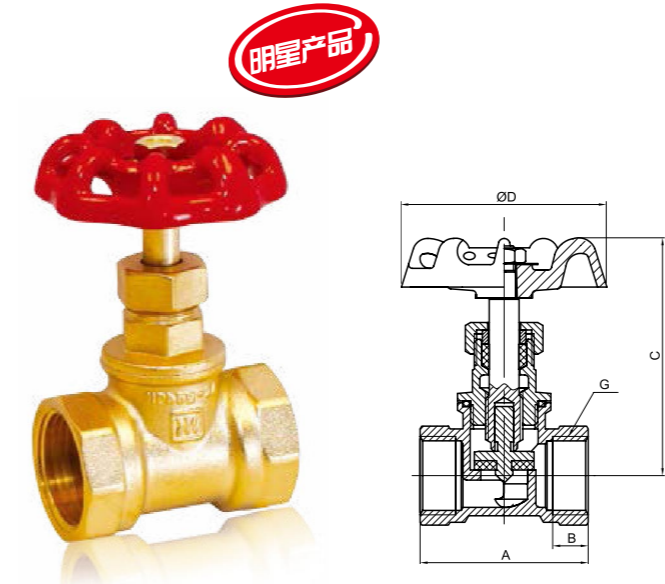
技术规范

公称压力: 1.6 MPa  
工作介质: 水、非腐蚀性液体、  
饱和蒸汽(≤0.6MPa)  
工作温度: -20°C至120°C  
圆柱管螺纹符合ISO228标准

Technical Standard

Nominal Pressure: 1.6 MPa  
Working Medium: Water, Non-causticity Liquid  
Saturated steam(≤0.6MPa)  
Working Temperature: -20°C至120°C  
Parallel Pipe Thread to ISO228

DN	A	B	C	D	G
15	45	9.5	65-70	54	1/2
20	50	10	70.5-78	60	3/4
25	64	13.5	77.5-85	72	1
32	74	15	94-103	80	1 1/4
40	80	15	100-110	80	1 1/2
50	100	19	118-130	110	2



**318** 黄铜截止阀 (硬密封)  
Brass Stop Valve (J11W-16T)

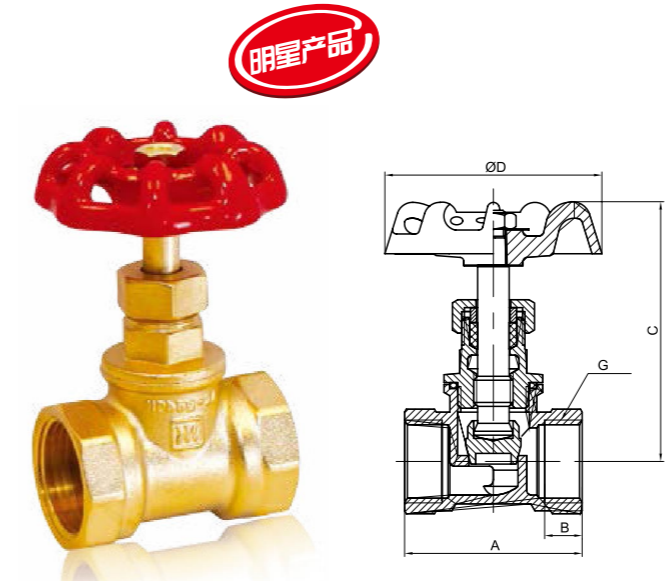
技术规范

公称压力: 1.6 MPa  
工作介质: 水、非腐蚀性液体、  
饱和蒸汽(≤0.6MPa)  
工作温度: -20°C至120°C  
圆柱管螺纹符合ISO228标准

Technical Standard

Nominal Pressure: 1.6 MPa  
Working Medium: Water, Non-causticity Liquid  
Saturated steam(≤0.6MPa)  
Working Temperature: -20°C至120°C  
Parallel Pipe Thread to ISO228

DN	A	B	C	D	G
15	45	9.5	66-70	54	1/2
20	50	10	71.5-76.5	60	3/4
25	64	13.5	78-86.5	72	1
32	74	15	97-104	80	1 1/4
40	80	15	100-107.5	80	1 1/2
50	100	19	117-128.5	110	2



**9169** 黄铜止回闸阀  
Brass Lockable Gate Valve With Non-Return  
Function (Z15W-16T)

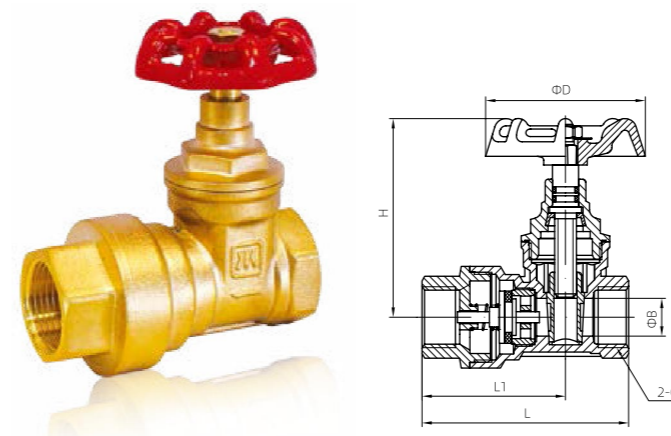
技术规范

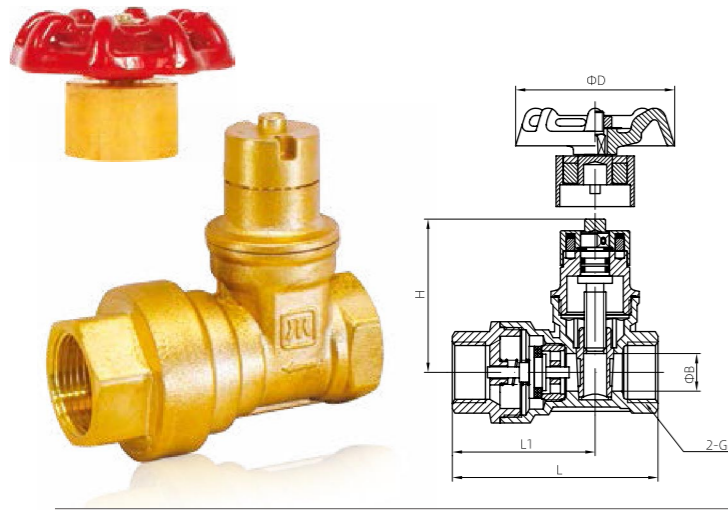
公称压力: 1.6 MPa  
工作介质: 水、非腐蚀性液体  
工作温度: -20°C至120°C  
圆柱管螺纹符合ISO228-1标准

Technical Standard

Nominal Pressure: 1.6 MPa  
Working Medium: Water, Non-causticity liquid  
Working Temperature: -20°C至120°C  
Parallel Pipe Thread to ISO228-1

DN	L	L1	B	G	D	H
15	71	49.5	13	G1/2	54	68.5
20	79.7	56.2	17	G3/4	54	73.5





**9168** 黄铜磁性锁止回闸阀  
Brass Lockable Gate Valve (Z15W-16T)

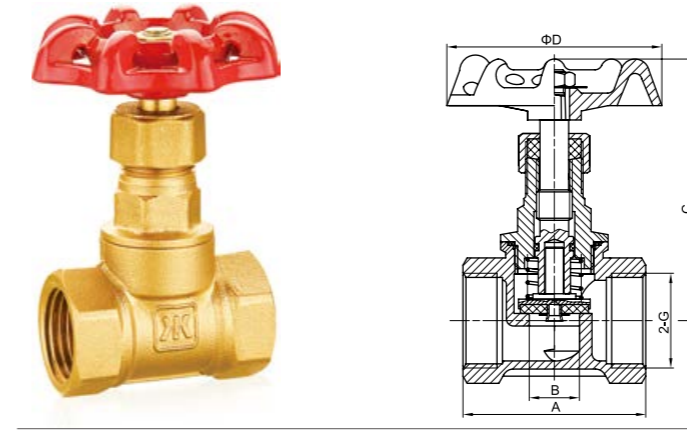
技术规范

公称压力: 1.6 MPa  
工作介质: 水、非腐蚀性液体  
工作温度: -10°C ≤ t ≤ 100°C  
圆柱管螺纹符合ISO228-1标准

Technical Standard

Nominal Pressure: 1.6 MPa  
Working Medium: Water, Non-causticity liquid  
Working Temperature: -10°C ≤ t ≤ 100°C  
Parallel Pipe Thread to ISO228-1

DN	L	L1	B	G	D	H
15	71	49.5	13	G1/2	54	53
20	79.7	56.2	17	G3/4	54	60.7



**385** 黄铜止回截止阀  
Brass Check Stop Valve (J12W-16T)

技术规范

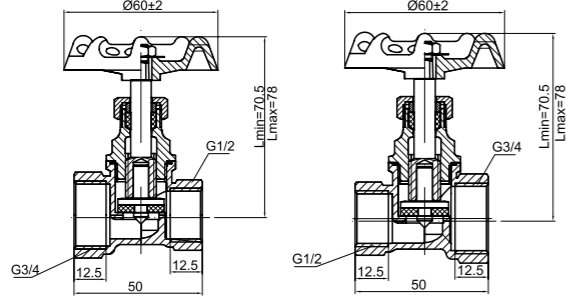
公称压力: 1.6 MPa  
工作介质: 水、非腐蚀性液体  
工作温度: -20°C ≤ t ≤ 120°C  
圆柱管螺纹符合ISO228标准

Technical Standard

Nominal Pressure: 1.6 MPa  
Working Medium: Water, Non-causticity Liquid  
Working Temperature: -20°C ≤ t ≤ 120°C  
Parallel Pipe Thread to ISO228

DN	Size	A	B	C	D	G
15	1/2	45	12	66-72	54	1/2
20	3/4	51	16	73-79	60	3/4
25	1	64.5	22	82-90	72	1
32	1 1/4	75	26	95-104	80	1 1/4
40	1 1/2	82	32	112-125	80	1 1/2
50	2	100	41	124.5-137.5	100	2

**315** 黄铜异径截止阀  
Brass Reduced Stop Valve (J11F-16T)

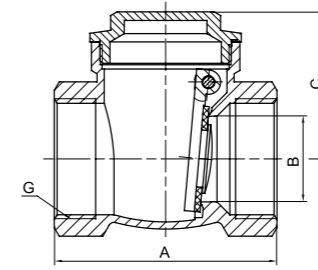


技术规范

公称压力: 1.6 MPa  
工作介质: 水、非腐蚀性液体  
工作温度: -20°C ≤ t ≤ 120°C  
圆柱管螺纹符合ISO228标准

Technical Standard

Nominal Pressure: 1.6 MPa  
Working Medium: Water, Non-causticity liquid  
Working Temperature: -20°C ≤ t ≤ 120°C  
Parallel Pipe Thread to ISO228



**404** 黄铜止回阀 (软密封)  
Brass Check Valve (H14X-16T)

技术规范

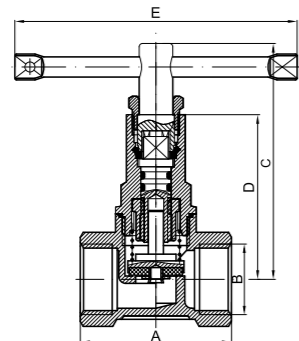
公称压力: 1.6 MPa  
工作介质: 水、非腐蚀性液体  
工作温度: -20°C ≤ t ≤ 100°C  
圆柱管螺纹符合ISO228标准

Technical Standard

Nominal Pressure: 1.6 MPa  
Working Medium: Water, Non-causticity Liquid  
Working Temperature: -20°C ≤ t ≤ 100°C  
Parallel Pipe Thread to ISO228

DN	Size	A	B	C	G
15	1/2	48	13	34	1/2
20	3/4	59	17	40.5	3/4
25	1	68	23	46	1
32	1 1/4	78	30	51.5	1 1/4
40	1 1/2	88	35	57.5	1 1/2
50	2	105	45	68.5	2
65	2 1/2	130	63	85.5	2 1/2
80	3	147	75	95.5	3
100	4	180	93	116.5	4

**316** 黄铜锁式止回截止阀  
Brass Stop Valve (J11W-16T)



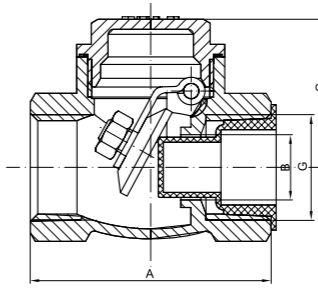
技术规范

公称压力: 1.6 MPa  
工作介质: 水、非腐蚀性液体  
工作温度: -20°C ≤ t ≤ 120°C  
圆柱管螺纹符合ISO228标准

Technical Standard

Nominal Pressure: 1.6 MPa  
Working Medium: Water, Non-causticity Liquid  
Working Temperature: -20°C ≤ t ≤ 120°C  
Parallel Pipe Thread to ISO228

DN	Size	A	B	C	D	E
15	1/2	45	2-G1/2	70	49	84
20	3/4	51	2-G3/4	89.5	51	84
25	1	64.5	2-G1	108.3	79.3	160
32	1 1/4	75	2-G1 1/4	119.8	90.8	160
40	1 1/2	82	2-G1 1/2	135	72	160
50	2	100	2-G2	110	77	160



**408** 黄铜止回阀 (硬密封)  
Brass Check Valve (H14W-16T)

技术规范

公称压力: 1.6 MPa  
工作介质: 水、非腐蚀性液体  
工作温度: -20°C ≤ t ≤ 100°C  
圆柱管螺纹符合ISO228标准

Technical Standard

Nominal Pressure: 1.6 MPa  
Working Medium: Water, Non-causticity Liquid  
Working Temperature: -20°C ≤ t ≤ 100°C  
Parallel Pipe Thread to ISO228

DN	Size	A	B	C	G
15	1/2	48	13	29.5	1/2
20	3/4	57	17	35.5	3/4
25	1	68	23	42	1
32	1 1/4	74	28	48.5	1 1/4
40	1 1/2	82	33	53	1 1/2
50	2	92.5	44	59	2
65	2 1/2	130	63	85.5	2 1/2
80	3	147	75	95.5	3
100	4	180	93	116.5	4



**9406** 黄铜止回阀 (硬密封)  
Brass Check Valve (H14W-16T)

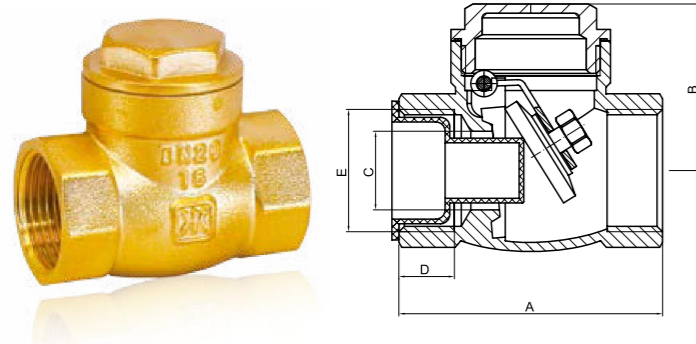
技术规范

公称压力: 1.6 MPa  
工作介质: 水、非腐蚀性液体  
工作温度: -20°C ≤ t ≤ 100°C  
强度压力试验: 2.4 MPa

Technical Standard

Nominal Pressure: 1.6 MPa  
Working Medium: Water, Non-causticity Liquid  
Working Temperature: -20°C ≤ t ≤ 100°C  
Hydraulic Pressure Test: 2.4 MPa

DN	A	B	C	D	E
15	47	31.5	Φ13	11	1/2
20	57	36.5	Φ17	12	3/4
25	68	43	Φ23	13.5	1
32	75	52	Φ29	14	1 1/4
40	86	57.5	Φ35	16	1 1/2
50	106	68	Φ45	17	2



**9407** 黄铜止回阀 (软密封)  
Brass Check Valve (H14X-16T)

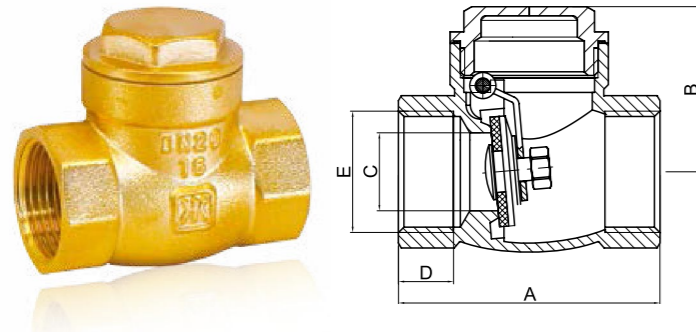
技术规范

公称压力: 1.6 MPa  
工作介质: 水、非腐蚀性液体  
工作温度: -20°C ≤ t ≤ 100°C  
强度压力试验: 2.4 MPa

Technical Standard

Nominal Pressure: 1.6 MPa  
Working Medium: Water, Non-causticity Liquid  
Working Temperature: -20°C ≤ t ≤ 100°C  
Hydraulic Pressure Test: 2.4 MPa

DN	A	B	C	D	E
15	47	31.5	Φ13	11	1/2
20	57	36.5	Φ17	12	3/4
25	68	43	Φ23	13.5	1
32	75	52	Φ29	14	1 1/4
40	86	57.5	Φ35	16	1 1/2
50	106	68	Φ45	17	2



**403X** 黄铜表前控制阀  
Brass Control Valve (H32X-16T)

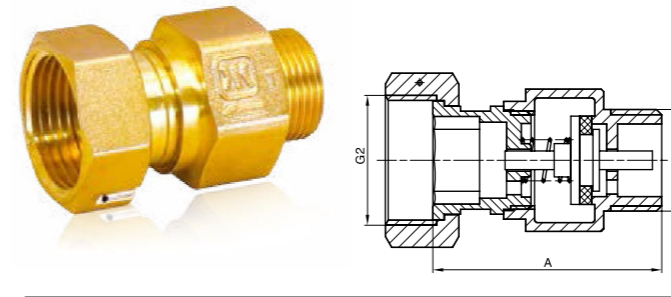
技术规范

公称压力: 1.6 MPa  
工作介质: 水、非腐蚀性液体  
工作温度: -20°C ≤ t ≤ 100°C  
圆柱管螺纹符合ISO228标准

Technical Standard

Nominal Pressure: 1.6 MPa  
Working Medium: Water, Non-causticity liquid  
Working Temperature: -20°C ≤ t ≤ 100°C  
Parallel Pipe Thread to ISO228

DN	A	G1	G2
15	46.6	1/2	3/4
20	52	3/4	1



**406** 黄铜表后控制阀  
Brass Control Valve (H32X-16T)

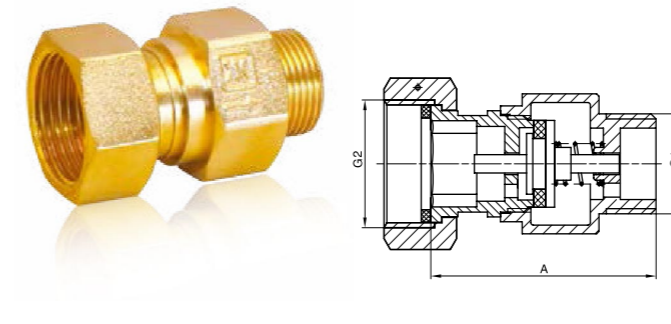
技术规范

公称压力: 1.6 MPa  
工作介质: 水、非腐蚀性液体  
工作温度: -20°C ≤ t ≤ 100°C  
圆柱管螺纹符合ISO228标准

Technical Standard

Nominal Pressure: 1.6 MPa  
Working Medium: Water, Non-causticity liquid  
Working Temperature: -20°C ≤ t ≤ 100°C  
Parallel Pipe Thread to ISO228

DN	A	G1	G2
15	46.6	1/2	3/4
20	52	3/4	1
25	55.5	1	1 1/4



**405** 黄铜立式止回阀  
Brass Vertical Check Valve (H12X-10T)

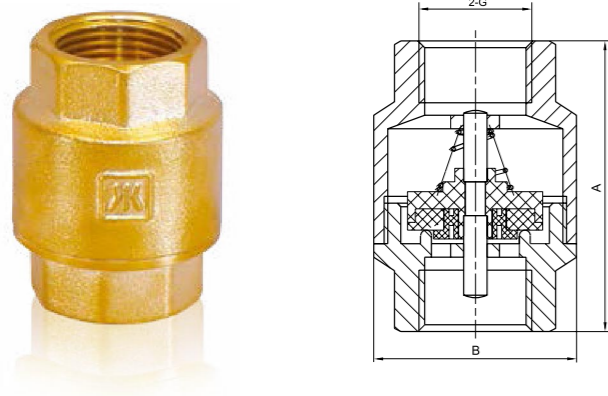
技术规范

公称压力: 1.0 MPa  
工作介质: 水、非腐蚀性液体、饱和蒸汽(≤0.6MPa)  
工作温度: -20°C ≤ t ≤ 100°C  
圆柱管螺纹符合ISO228标准

Technical Standard

Nominal Pressure: 1.0 MPa  
Working Medium: Water, Non-causticity Liquid Saturated steam(≤0.6MPa)  
Working Temperature: -20°C ≤ t ≤ 100°C  
Parallel Pipe Thread to ISO228

DN	Size	A	B	G
10	3/8	43	30	3/8
15	1/2	49.5	35	1/2
20	3/4	53.5	41	3/4
25	1	60	49	1
32	1 1/4	70	58	1 1/4
40	1 1/2	77.5	67.5	1 1/2
50	2	84.5	83	2



**607** 黄铜过滤器  
Brass Strainer (SY11-16T)

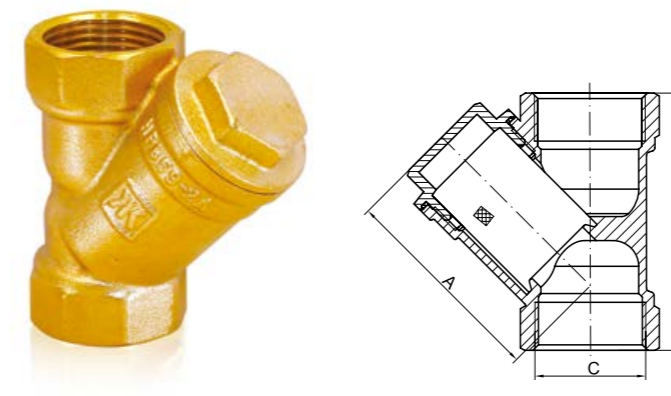
技术规范

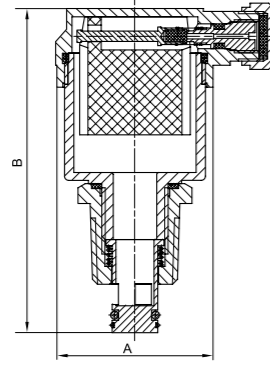
公称压力: 1.6 MPa  
工作介质: 水、非腐蚀性液体  
工作温度: -20°C ≤ t ≤ 120°C  
圆柱管螺纹符合ISO228标准

Technical Standard

Nominal Pressure: 1.6 MPa  
Working Medium: Water, Non-causticity liquid  
Working Temperature: -20°C ≤ t ≤ 120°C  
Parallel Pipe Thread to ISO228

DN	Size	A	B	C	过滤网目数
15	1/2	44.5	55	1/2	24X24
20	3/4	51.4	62	3/4	24X24
25	1	61.3	75	1	24X24
32	1 1/4	72.5	88	1 1/4	12X9
40	1 1/2	80.5	100	1 1/2	12X9
50	2	100.5	120	2	12X9





**705** 黄铜排气阀  
Brass Exhausting Valve (P25X-16T)

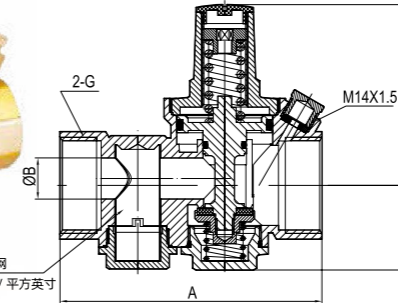
技术规范

公称压力: 1.6 MPa  
工作介质: 水、非腐蚀性液体  
工作温度: 0°C ≤ t ≤ 120°C  
管螺纹符合ISO7标准

Technical Standard

Nominal Pressure: 1.6 MPa  
Working Medium: Water, Non-causticity liquid  
Working Temperature: 0°C ≤ t ≤ 120°C  
Taper Pipe Thread to ISO7

DN	A	B
15	38.5	78.5
20	38	77.5
25	38	77.5



**727** 黄铜带过滤器减压阀  
Brass Reducing Valve With Filter (Y13X-16T)

技术规范

公称压力: 1.6 MPa  
工作介质: 水、非腐蚀性液体  
工作温度: 0°C ≤ t ≤ 80°C  
出口压力: 0.1MPa-0.55MPa  
圆柱管螺纹符合ISO228标准

Technical Standard

Nominal Pressure: 1.6 MPa  
Working Medium: Water, Non-causticity liquid  
Working Temperature: 0°C ≤ t ≤ 80°C  
Export Pressure: 0.1MPa-0.55MPa  
Parallel Pipe Thread to ISO228

DN	Size	A	B	H1	H2	G
15	1/2	98.5	11	29.5	65	1/2
20	3/4	99	11	30	64.5	3/4
25	1	110.5	15	35.5	77	1
32	1 1/4	114.5	18	37	79	1 1/4
40	1 1/2	139	22.5	47.5	105	1 1/2
50	2	162	28.5	54.5	126.5	2

**707** 黄铜活塞式减压阀  
Brass Piston Valve (Y13X-16T)

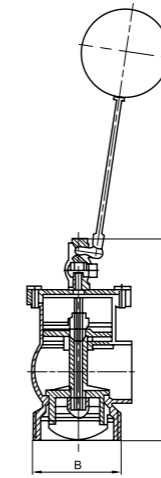
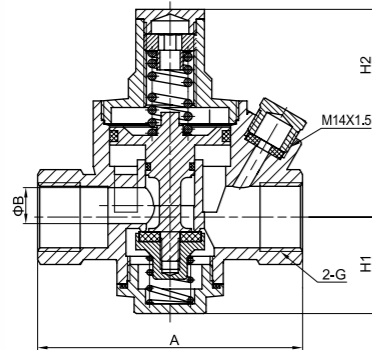
技术规范

公称压力: 1.6 MPa  
工作介质: 水、非腐蚀性液体  
工作温度: 0°C ≤ t ≤ 80°C  
出口压力: 0.1MPa-0.55MPa  
圆柱管螺纹符合ISO228标准

Technical Standard

Nominal Pressure: 1.6 MPa  
Working Medium: Water, Non-causticity liquid  
Working Temperature: 0°C ≤ t ≤ 80°C  
Export Pressure: 0.1MPa-0.55MPa  
Parallel Pipe Thread to ISO228

DN	Size	A	B	H1	H2	G
15	1/2	78	11	29.5	64	1/2
20	3/4	78.5	11	30	63.5	3/4
25	1	85	15	35.5	77	1
32	1 1/4	85	18	37	79	1 1/4
40	1 1/2	103	22.5	47.5	105	1 1/2
50	2	120	28.5	54.5	126.5	2



**901** 浮球阀  
Floating Ball Actuated Valve (KXL-6T-A)

技术规范

公称压力: 0.04 MPa ≤ P ≤ 0.6 MPa  
工作介质: 水、非腐蚀性液体  
工作温度: 0°C ≤ t ≤ 80°C  
联接方式: 管螺纹

Technical Standard

Nominal Pressure: 0.04 MPa ≤ P ≤ 0.6 MPa  
Working Medium: Water, Non-causticity liquid  
Working Temperature: 0°C ≤ t ≤ 80°C  
Connecting From: Pipe Thread

DN	Size	A	B
15	1/2	80	50
20	3/4	120	35
25	1	125	43
32	1 1/4	145	52
40	1 1/2	155	57
50	2	168	69
65	2 1/2	200	88
80	3	225	100
100	4	250	127

**737** 黄铜活塞式减压阀  
Brass Piston Valve (Y13X-16T)

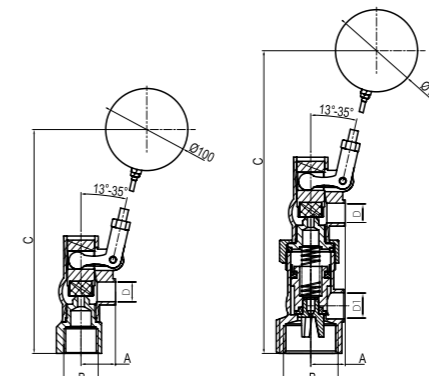
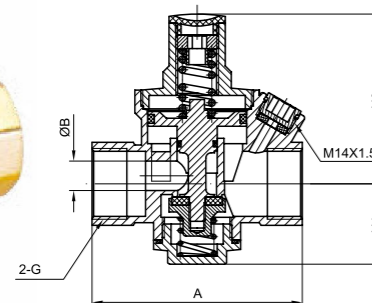
技术规范

公称压力: 1.6 MPa  
工作介质: 水、非腐蚀性液体  
工作温度: 0°C ≤ t ≤ 80°C  
出口压力: 0.1MPa-0.55MPa  
圆柱管螺纹符合ISO228标准

Technical Standard

Nominal Pressure: 1.6 MPa  
Working Medium: Water, Non-causticity liquid  
Working Temperature: 0°C ≤ t ≤ 80°C  
Export Pressure: 0.1MPa-0.55MPa  
Parallel Pipe Thread to ISO228

DN	A	B	H1	H2	G
15	78	11	29.5	64	1/2
20	78.5	11	30	63.5	3/4
25	85	15	35.5	77	1
32	85	18	37	79.5	1 1/4
40	103	22.5	47.5	104.7	1 1/2
50	120	27.5x22.5	47.5	104.8	2



**9901** 浮球阀  
Floating Ball Actuated Valve (KXL-6T-A)

技术规范

公称压力: 0.6 MPa  
工作介质: 水、非腐蚀性液体  
工作温度: 0°C ≤ t ≤ 80°C

Technical Standard

Nominal Pressure: 0.6 MPa  
Working Medium: Water, Non-causticity liquid  
Working Temperature: 0°C ≤ t ≤ 80°C

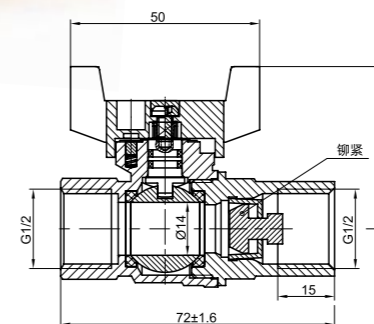
DN	A	B	C	D	D1
15	21	G1/2	272	12	-
20	21	G3/4	320	12	16
25	21	G1	320	12	16
32	31	G1 1/4	333.5	12	23
40	34	G1 1/2	346.5	12	27
50	34	G2	351.5	12	27

# 燃气阀门系列

## GAS VALVES SERIES



### R50803 内螺纹磁性防盗高温切断阀 Internal Thread Magnetic Anti-Theft High Temperature Shut-Off Valve



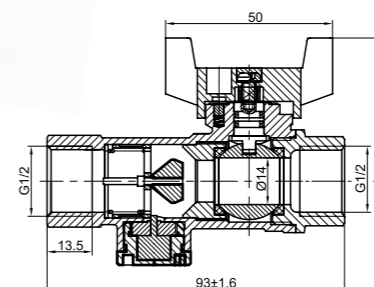
**技术参数**

- 1、当 $T < 90^{\circ}\text{C}$ ，高温切断装置不激活，燃气介质正常流通(可定制)。
- 2、当 $T$ 达到 $100^{\circ}\text{C} \pm 10^{\circ}\text{C}$ ，高温切断装置机械激活启动，阻碍燃气介质正常流通，实现高温自动切断(可定制)。
- 3、燃气额定大流量值：大于 $4.5\text{m}^3/\text{h}$ ，适宜匹配 $1.6\text{m}^3/\text{h}$ 、 $2.5\text{m}^3/\text{h}$ 燃气表。
- 4、工作温度： $-20 \sim +100^{\circ}\text{C}$ 。
- 5、耐超高温温度： $T \geq 650^{\circ}\text{C}$ 。

**Technical Specification:**

- 1、When  $T < 90^{\circ}\text{C}$ , the high temperature cutting device is not activated, and the gas medium is normally circulated (customizable).
- 2、When  $T$  reaches  $100^{\circ}\text{C} \pm 10^{\circ}\text{C}$ , the high-temperature cutting device is activated by mechanical activation. It hinders the normal circulation of the gas medium and realizes automatic cutting at high temperature (customizable).
- 3、Gas rated large flow value: greater than  $4.5\text{m}^3/\text{h}$ , suitable for matching  $1.6\text{m}^3/\text{h}$ ,  $2.5\text{m}^3/\text{h}$  gas meter.
- 4、Working temperature:  $-20 \sim +100^{\circ}\text{C}$
- 5、High temperature resistance:  $T \geq 650^{\circ}\text{C}$

### R50901 内螺纹磁性防盗高温切断阀 Internal Thread Magnetic Anti-Theft High Temperature Shut-Off Valve

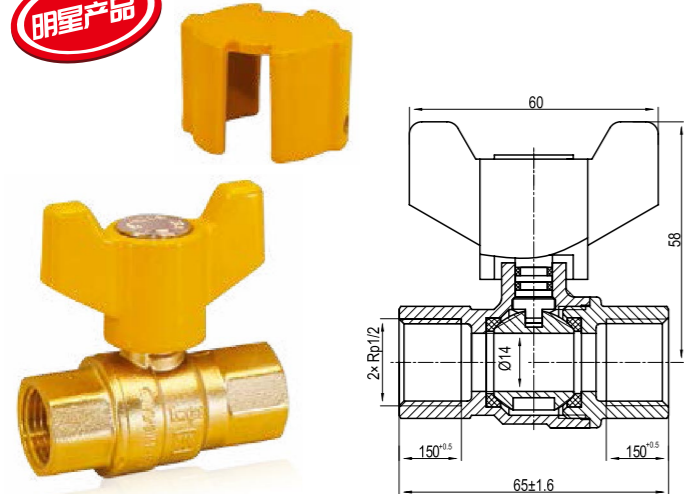


**技术参数**

- 1、当 $T < 90^{\circ}\text{C}$ ，高温切断装置不激活，燃气介质正常流通(可定制)。
- 2、当 $T$ 达到 $100^{\circ}\text{C} \pm 10^{\circ}\text{C}$ ，高温切断装置机械激活启动，阻碍燃气介质正常流通，实现高温自动切断(可定制)。
- 3、燃气额定大流量值：大于 $5.5\text{m}^3/\text{h}$ ，适宜匹配 $1.6\text{m}^3/\text{h}$ 、 $2.5\text{m}^3/\text{h}$ 、 $4.0\text{m}^3/\text{h}$ 燃气表。
- 4、工作温度： $-20 \sim +100^{\circ}\text{C}$ 。
- 5、耐超高温温度： $T \geq 650^{\circ}\text{C}$ 。

**Technical Specification:**

- 1、When  $T < 90^{\circ}\text{C}$ , the high temperature cutting device is not activated, and the gas medium is normally circulated (customizable).
- 2、When  $T$  reaches  $100^{\circ}\text{C} \pm 10^{\circ}\text{C}$ , the high-temperature cutting device is activated by mechanical activation. It hinders the normal circulation of the gas medium and realizes automatic cutting at high temperature (customizable).
- 3、Gas rated large flow value: greater than  $5.5\text{m}^3/\text{h}$ , suitable for matching  $1.6\text{m}^3/\text{h}$ ,  $2.5\text{m}^3/\text{h}$ ,  $4.0\text{m}^3/\text{h}$  gas meter.
- 4、Working temperature:  $-20 \sim +100^{\circ}\text{C}$
- 5、High temperature resistance:  $T \geq 650^{\circ}\text{C}$



**R45001** 黄铜提拉式双控内螺纹球阀  
Brass Gas Ball Valve Controlled FF (RQL-PN16)

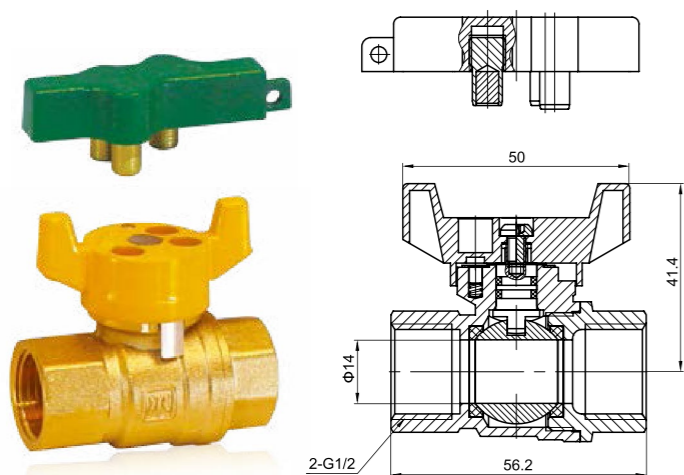
技术规范

公称压力: 1.6 MPa  
工作介质: 天然气、人工煤气、液化石油气  
工作温度: -20°C≤t≤80°C  
圆柱管螺纹符合ISO228标准

Technical Standard

Nominal Pressure: 1.6 MPa  
Working Medium: Natural gas, Artificial gas, Liquefied petroleum gas  
Working Temperature: -20°C≤t≤80°C  
Parallel Pipe Thread to ISO228

密封件选用M111/日本大金材料  
O型圈选用意大利NBR材料, 符合EN682标准



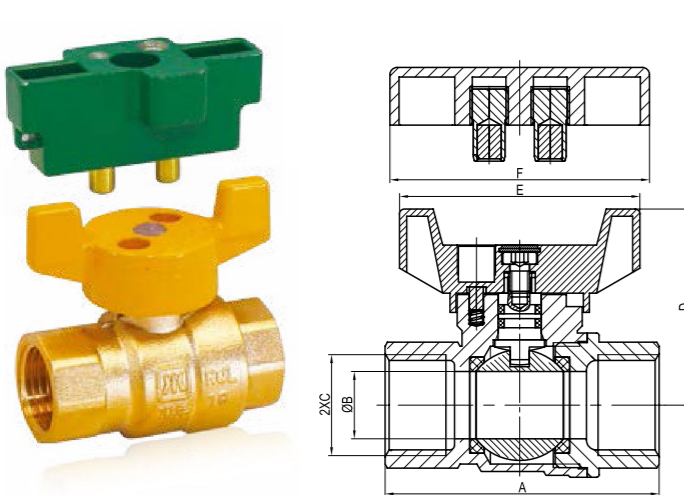
**R50802** 黄铜双控锁闭阀  
Brass Double Control Lock Valve (RQL-PN16)

技术规范

公称压力: 1.6 MPa  
工作介质: 天然气、人工煤气、液化石油气  
工作温度: -20°C≤t≤80°C  
圆柱管螺纹符合ISO228标准

Technical Standard

Nominal Pressure: 1.6 MPa  
Working Medium: Natural gas, Artificial gas, Liquefied petroleum gas  
Working Temperature: -20°C≤t≤80°C  
Parallel Pipe Thread to ISO228



**9277A** 黄铜磁控防盗球阀  
Brass Magnetic Control Anti-Theft Ball Valve (RQL-PN16)

技术规范

公称压力: 1.6 MPa  
工作介质: 天然气、人工煤气、液化石油气  
工作温度: -20°C≤t≤80°C  
圆柱管螺纹符合ISO228标准

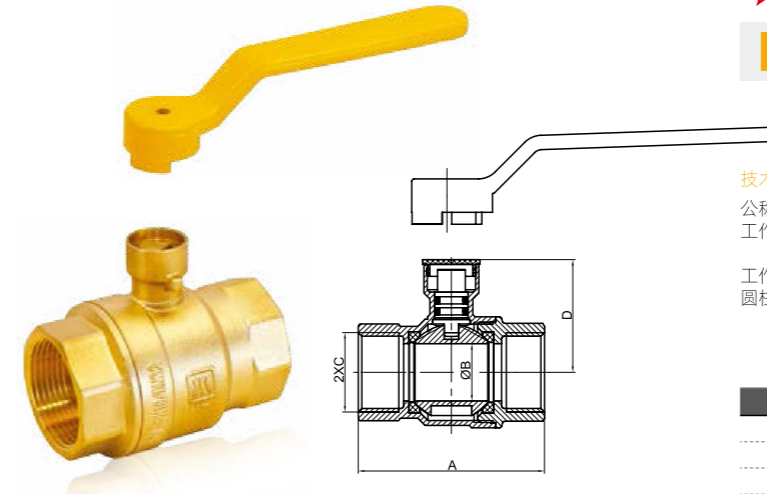
Technical Standard

Nominal Pressure: 1.6 MPa  
Working Medium: Natural gas, Artificial gas, Liquefied petroleum gas  
Working Temperature: -20°C≤t≤80°C  
Parallel Pipe Thread to ISO228

DN	A	B	C	D	E	F
15	57	14	G1/2	41	50	54
20	67	19	G3/4	44	50	54
25	78.6	24	G1	50	50	54

★内藏式防拆结构, 需专用工具来开启关闭。

**R50001** 黄铜内螺纹锁式球阀  
Lockable Gas Ball Valve FF (RQL-PN16)



技术规范

公称压力: 1.6 MPa  
工作介质: 天然气、人工煤气、液化石油气  
工作温度: -20°C≤t≤110°C  
圆柱管螺纹符合ISO228-1: 2000标准

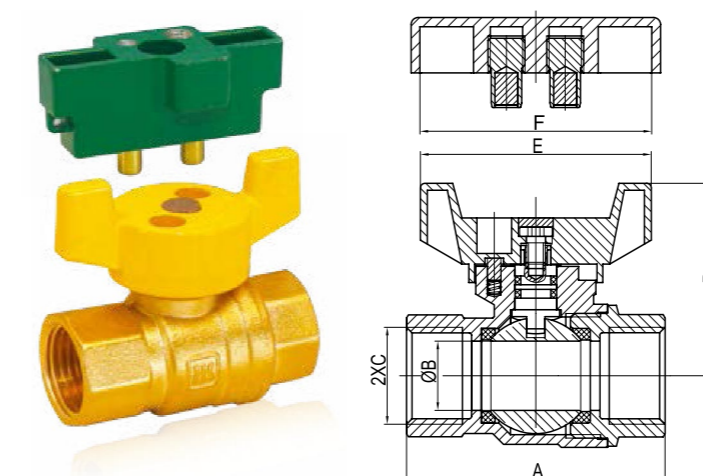
Technical Standard

Nominal Pressure: 1.6 MPa  
Working Medium: Natural gas, Artificial gas, Liquefied petroleum gas  
Working Temperature: -20°C≤t≤110°C  
Parallel Pipe Thread to ISO228-1:2000

DN	A	B	C	D
25	78	24	G1	47
32	88	30	G1 1/4	52.6
40	104.5	38	G1 1/2	66
50	120	49	G2	75.5

★产品设计按CJ/T180-2014设计  
★全通径系列, 长度符合N4要求。

**R50201** 黄铜磁控防盗球阀  
Brass Magnetic Anti-Theft Ball Valve (RQL-PN16)



技术规范

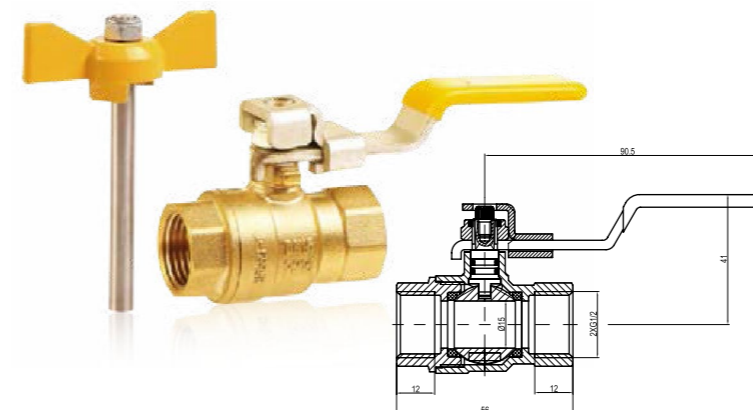
公称压力: 1.6 MPa  
工作介质: 天然气、人工煤气、液化石油气  
工作温度: -20°C≤t≤80°C  
圆柱管螺纹符合ISO228标准

Technical Standard

Nominal Pressure: 1.6 MPa  
Working Medium: Natural Gas, Artificial Gas, Liquefied petroleum gas  
Working Temperature: -20°C≤t≤80°C  
Parallel Pipe Thread to ISO228

DN	A	B	C	D	E	F
15	56	15	G1/2	42	50	54
20	67	19	G3/4	47	50	54

**R50501** 黄铜可控内螺纹球阀  
Brass Gas Ball Valve Controlled FF (RQL-PN16)



技术规范

公称压力: 1.6 MPa  
工作介质: 天然气、人工煤气、液化石油气  
工作温度: -20°C≤t≤60°C  
圆柱管螺纹符合ISO228标准

Technical Standard

Nominal Pressure: 1.6 MPa  
Working Medium: Natural gas, Artificial gas, Liquefied petroleum gas  
Working Temperature: -20°C≤t≤60°C  
Parallel Pipe Thread to ISO228



- ★ 产品设计按CJ/T180-2014设计
- ★ 全通路系列，长度符合N4要求。

**R60001** 黄铜内螺纹球阀  
Gas Ball Valve FF (RQL-PN16)

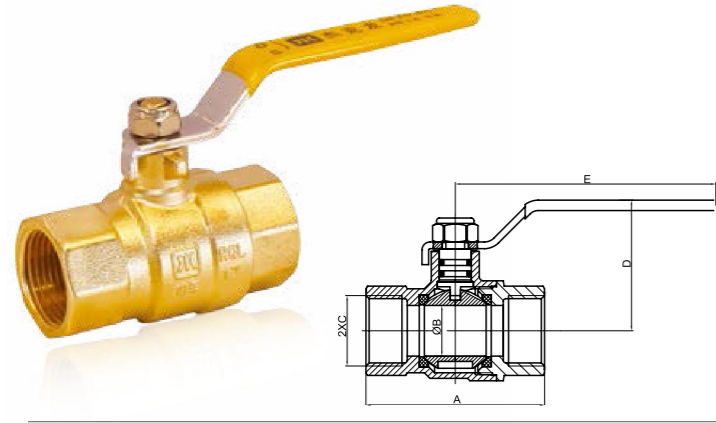
技术规范

公称压力: 1.6 MPa  
工作介质: 天然气、人工煤气、  
液化石油气  
工作温度: -20°C≤t≤110°C  
圆柱管螺纹符合ISO228标准

Technical Standard

Nominal Pressure: 1.6 MPa  
Working Medium: Natural Gas, Artificial Gas,  
Liquefied Petroleum Gas  
Working Temperature: -20°C≤t≤110°C  
Parallel Pipe Thread to ISO228

DN	A	B	C	D	E
15	56	15	G1/2	42	98
20	67	19	G3/4	49	97.7
25	78	24	G1	55	110
32	88	30	G1 1/4	63	140
40	104.5	38	G1 1/2	68	140
50	120	49	G2	79	156



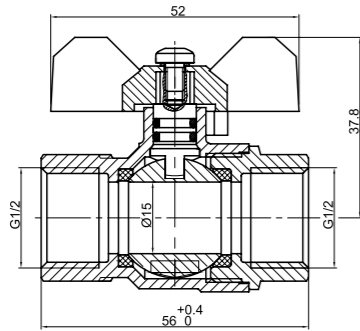
**R60003** 黄铜内螺纹球阀  
Gas Ball Valve FF (RQL-PN16)

技术规范

公称压力: 1.6 MPa  
工作介质: 天然气、人工煤气、  
液化石油气  
工作温度: -20°C≤t≤110°C  
圆柱管螺纹符合ISO228标准

Technical Standard

Nominal Pressure: 1.6 MPa  
Working Medium: Natural gas, Artificial gas,  
Liquefied petroleum gas  
Working Temperature: -20°C≤t≤110°C  
Parallel Pipe Thread to ISO228



**R61001** 黄铜内螺纹球阀  
Gas Ball Valve FF (RQL-PN16)

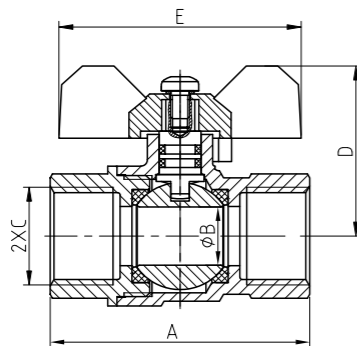
技术规范

公称压力: 1.6 MPa  
工作介质: 天然气、人工煤气、  
液化石油气  
工作温度: -20°C≤t≤110°C  
圆柱管螺纹符合ISO228标准

Technical Standard

Nominal Pressure: 1.6 MPa  
Working Medium: Natural gas, Artificial gas,  
Liquefied petroleum gas  
Working Temperature: -20°C≤t≤110°C  
Parallel Pipe Thread to ISO228

DN	A	B	C	D	E
15	52	12.5	Rp1/2	36.5	52
20	60	15	Rp3/4	37.8	52
25	70	20	Rp1	49.8	65



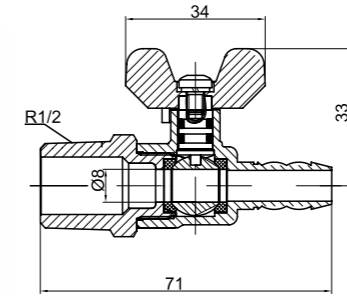
**R11401** 外螺纹胶管球阀  
Brass Gas Ball Valve FF (RQL-PN16)

技术规范

公称压力: 1.6 MPa  
工作介质: 天然气、人工煤气、  
液化石油气  
工作温度: -20°C≤t≤60°C  
圆柱管螺纹符合ISO228标准

Technical Standard

Nominal Pressure: 1.6 MPa  
Working Medium: Natural gas, Artificial gas,  
Liquefied petroleum gas  
Working Temperature: -20°C≤t≤60°C  
Parallel Pipe Thread to ISO228



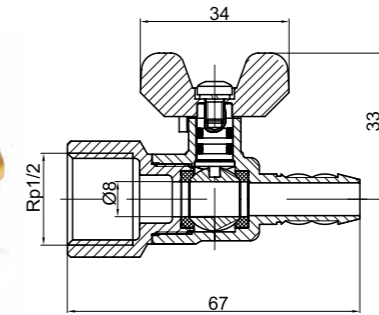
**R11402** 内螺纹胶管球阀  
Brass Gas Ball Valve FF (RQL-PN16)

技术规范

公称压力: 1.6 MPa  
工作介质: 天然气、人工煤气、  
液化石油气  
工作温度: -20°C≤t≤60°C  
圆柱管螺纹符合ISO228标准

Technical Standard

Nominal Pressure: 1.6 MPa  
Working Medium: Natural gas, Artificial gas,  
Liquefied petroleum gas  
Working Temperature: -20°C≤t≤60°C  
Parallel Pipe Thread to ISO228



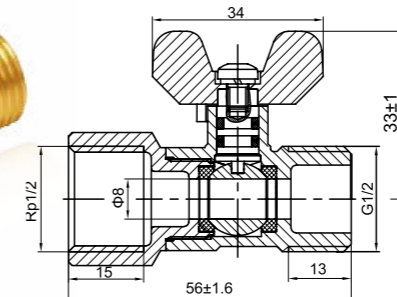
**R11502** 内外螺纹球阀  
Brass Gas Ball Valve MF (RQL-PN16)

技术规范

公称压力: 1.6 MPa  
工作介质: 天然气、人工煤气、  
液化石油气  
工作温度: -20°C≤t≤110°C  
圆柱管螺纹符合ISO228标准

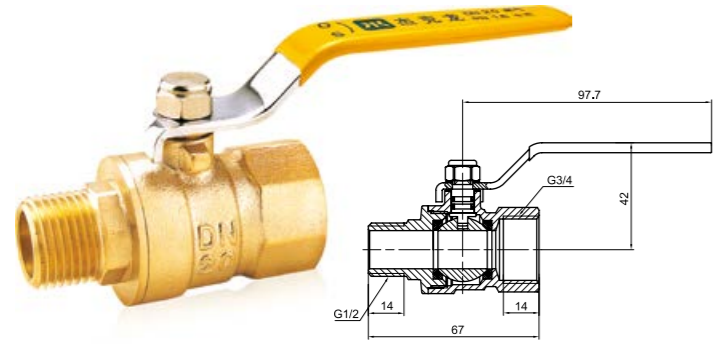
Technical Standard

Nominal Pressure: 1.6 MPa  
Working Medium: Natural gas, Artificial gas,  
Liquefied petroleum gas  
Working Temperature: -20°C≤t≤110°C  
Parallel Pipe Thread to ISO228





**241** 黄铜内外螺纹燃气球阀  
Brass Gas Ball Valve MF(RQL-PN16)



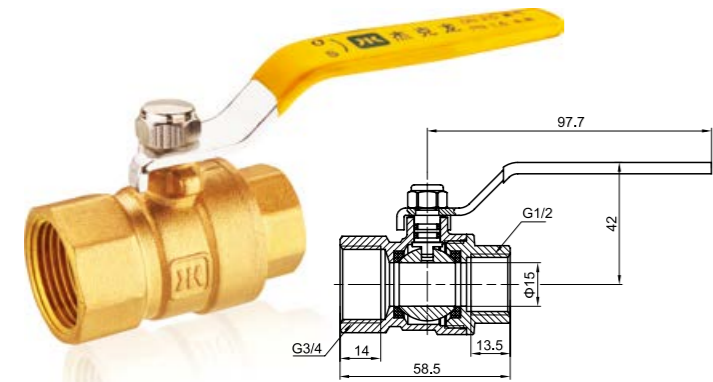
技术规范

公称压力: 1.6 MPa  
工作介质: 天然气、人工煤气、液化石油气  
工作温度:  $-20^{\circ}\text{C} \leq t \leq 110^{\circ}\text{C}$   
圆柱管螺纹符合ISO228标准

Technical Standard

Nominal Pressure: 1.6 MPa  
Working Medium: Natural gas, Artificial gas, Liquefied petroleum gas  
Working Temperature:  $-20^{\circ}\text{C} \leq t \leq 110^{\circ}\text{C}$   
Parallel Pipe Thread to ISO228

**242** 黄铜异径内螺纹燃气球阀  
Brass Female Reduced Gas Ball Valve (RQL-PN16)



技术规范

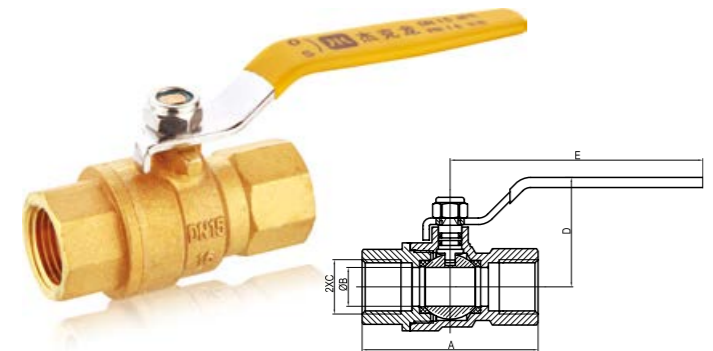
公称压力: 1.6 MPa  
工作介质: 天然气、人工煤气、液化石油气  
工作温度:  $-20^{\circ}\text{C} \leq t \leq 110^{\circ}\text{C}$   
圆柱管螺纹符合ISO228标准

Technical Standard

Nominal Pressure: 1.6 MPa  
Working Medium: Natural gas, Artificial gas, Liquefied petroleum gas  
Working Temperature:  $-20^{\circ}\text{C} \leq t \leq 110^{\circ}\text{C}$   
Parallel Pipe Thread to ISO228

★ 产品设计按CJ/T180-2014设计  
★ 全通径系列, 长度符合N9要求。

**246** 黄铜燃气球阀  
Brass Gas Ball Valve (RQL-PN16)



技术规范

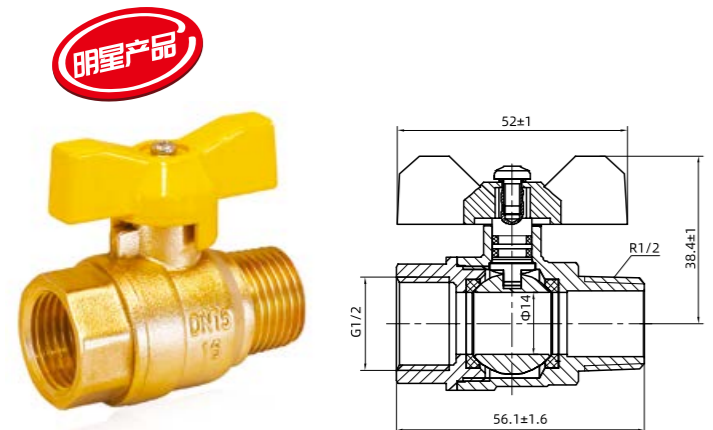
公称压力: 1.6 MPa  
工作介质: 天然气、人工煤气、液化石油气  
工作温度:  $-20^{\circ}\text{C} \leq t \leq 110^{\circ}\text{C}$   
圆柱管螺纹符合ISO228标准

Technical Standard

Nominal Pressure: 1.6 MPa  
Working Medium: Natural Gas, Artificial Gas, Liquefied Petroleum Gas  
Working Temperature:  $-20^{\circ}\text{C} \leq t \leq 110^{\circ}\text{C}$   
Parallel Pipe Thread to ISO228

DN	A	B	C	D	E
15	69	15	G1/2	42	98
20	78	19.6	G3/4	49	97.7
25	86	24	G1	55	110
32	100	31.6	G1 1/4	62	140
40	106	39.5	G1 1/2	68	140
50	130	49	G2	77	155

**R64001** 黄铜内外螺纹燃气球阀  
Brass Gas Ball Valve (RQL-PN16)



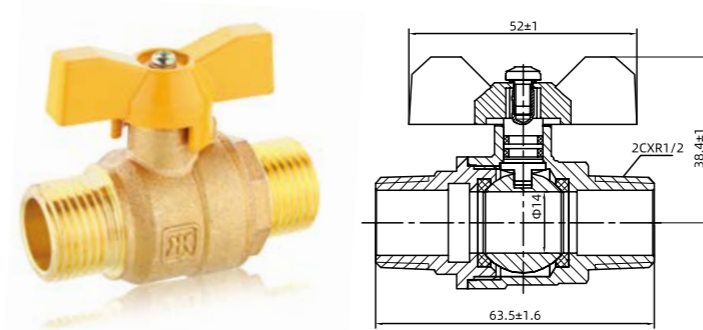
技术规范

公称压力: 1.6 MPa  
工作介质: 天然气、人工煤气、液化石油气  
工作温度:  $-20^{\circ}\text{C} \leq t \leq 110^{\circ}\text{C}$   
圆柱管螺纹符合ISO228标准

Technical Standard

Nominal Pressure: 1.6 MPa  
Working Medium: Natural gas, Artificial gas, Liquefied petroleum gas  
Working Temperature:  $-20^{\circ}\text{C} \leq t \leq 110^{\circ}\text{C}$   
Parallel Pipe Thread to ISO228

**R64002** 黄铜外螺纹燃气球阀  
Brass Gas Ball Valve (RQL-PN16)



技术规范

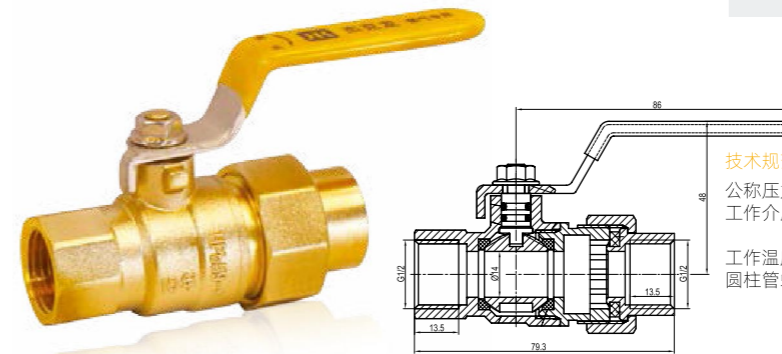
公称压力: 1.6 MPa  
工作介质: 天然气、人工煤气、液化石油气  
工作温度:  $-20^{\circ}\text{C} \leq t \leq 110^{\circ}\text{C}$   
圆柱管螺纹符合ISO228标准

Technical Standard

Nominal Pressure: 1.6 MPa  
Working Medium: Natural gas, Artificial gas, Liquefied petroleum gas  
Working Temperature:  $-20^{\circ}\text{C} \leq t \leq 110^{\circ}\text{C}$   
Parallel Pipe Thread to ISO228

★ 产品设计按CJ/T180-2014设计

**R60101** 黄铜异径活接球阀  
Brass Female Reduced Gas Ball Valve (RQH-PN16)



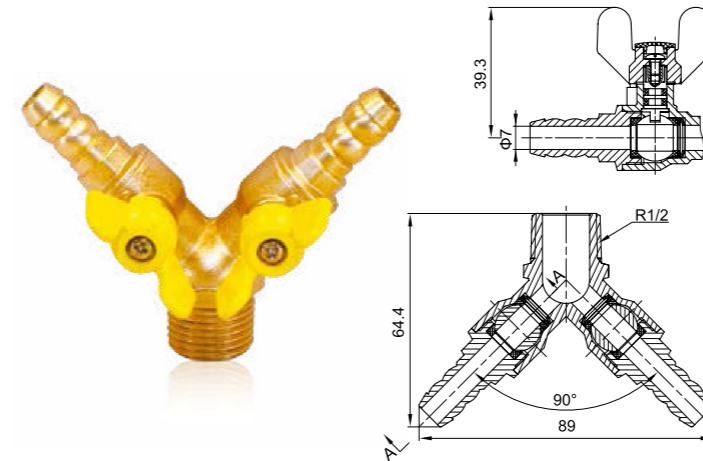
技术规范

公称压力: 1.6 MPa  
工作介质: 天然气、人工煤气、液化石油气  
工作温度:  $-20^{\circ}\text{C} \leq t \leq 110^{\circ}\text{C}$   
圆柱管螺纹符合ISO228标准

Technical Standard

Nominal Pressure: 1.6 MPa  
Working Medium: Natural gas, Artificial gas, Liquefied petroleum gas  
Working Temperature:  $-20^{\circ}\text{C} \leq t \leq 110^{\circ}\text{C}$   
Parallel Pipe Thread to ISO228

**235** 黄铜外螺纹双接管防泄漏燃气球阀  
Brass Male Screw Leakproof Gas Ball Valve With Double Mouth (RQJ-PN0.15)



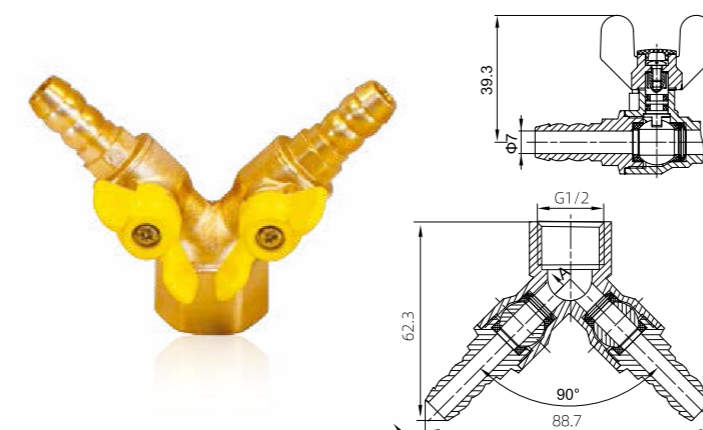
技术规范

公称压力: 0.015 MPa  
工作介质: 天然气、人工煤气、液化石油气  
工作温度:  $-20^{\circ}\text{C} \leq t \leq 110^{\circ}\text{C}$   
圆柱管螺纹符合ISO228标准

Technical Standard

Nominal Pressure: 0.015 MPa  
Working Medium: Natural Gas, Artificial Gas, Liquefied Petroleum Gas  
Working Temperature:  $-20^{\circ}\text{C} \leq t \leq 110^{\circ}\text{C}$   
Parallel Pipe Thread to ISO228

**236** 黄铜内螺纹双接管防泄漏燃气球阀  
Brass Female Screw Leakproof Gas Ball Valve With Double Mouth (RQJ-PN0.15)



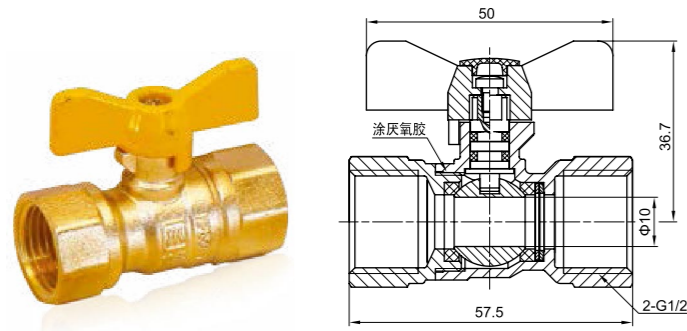
技术规范

公称压力: 0.015 MPa  
工作介质: 天然气、人工煤气、液化石油气  
工作温度:  $-20^{\circ}\text{C} \leq t \leq 110^{\circ}\text{C}$   
圆柱管螺纹符合ISO228标准

Technical Standard

Nominal Pressure: 0.015 MPa  
Working Medium: Natural Gas, Artificial Gas, Liquefied Petroleum Gas  
Working Temperature:  $-20^{\circ}\text{C} \leq t \leq 110^{\circ}\text{C}$   
Parallel Pipe Thread to ISO228

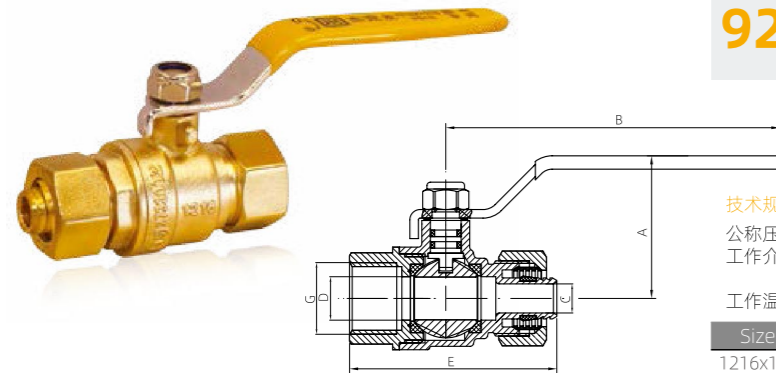
**237** 黄铜内螺纹防泄漏燃气球阀  
Brass Female Leakproof  
Gas Ball Valve (RQL-PN16)



**技术规范**  
公称压力: 1.6 MPa  
工作介质: 天然气、人工煤气、液化石油气  
工作温度: -20°C≤t≤110°C  
圆锥管螺纹符合ISO7标准  
圆柱管螺纹符合ISO228标准

**Technical Standard**  
Nominal Pressure: 1.6 Mpa  
Working Medium: Natural Gas, Artificial Gas, Liquefied Petroleum Gas  
Working Temperature: -20°C≤t≤110°C  
Taper Pipe Thread to ISO7  
Parallel Pipe Thread to ISO228

**9201** 黄铜铝塑管内丝燃气球阀  
Brass Gas Ball Valve Fx F For PEX-AL-PEX  
(RQT-PN16)

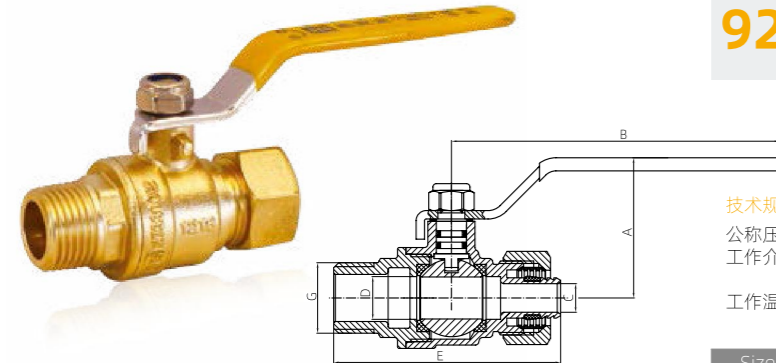


**技术规范**  
公称压力: 1.6MPa  
工作介质: 天然气、人工煤气、液化石油气  
工作温度: -20°C≤t≤110°C

**Technical Standard**  
Nominal Pressure: 1.6MPa  
Working Medium: Natural Gas, Artificial Gas, Liquefied Petroleum Gas  
Working Temperature: -20°C≤t≤110°C

Size	A	B	C	D	E	G
1216x1/2	41.7	97.7	8	12.7	60.6	1/2
1620x1/2	41.7	97.7	12	12.7	57.6	1/2
1620x3/4	41.7	97.7	12	12.7	60.6	3/4

**9202** 黄铜铝塑管外丝燃气球阀  
Brass Gas Ball Valve Mx F For PEX-AL-PEX  
(RQT-PN16)

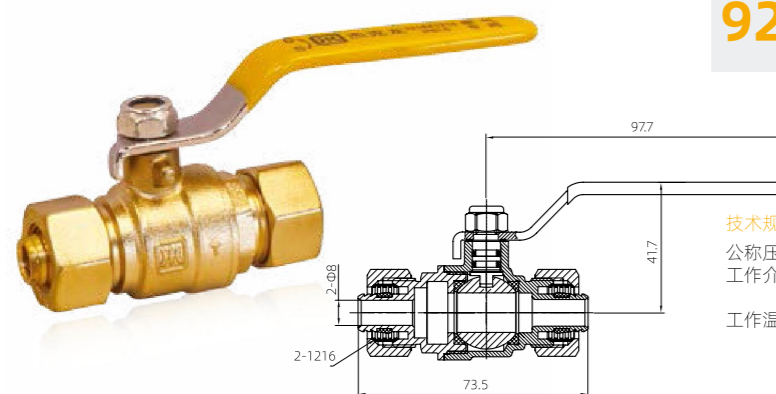


**技术规范**  
公称压力: 1.6MPa  
工作介质: 天然气、人工煤气、液化石油气  
工作温度: -20°C≤t≤110°C

**Technical Standard**  
Nominal Pressure: 1.6MPa  
Working Medium: Natural Gas, Artificial Gas, Liquefied Petroleum Gas  
Working Temperature: -20°C≤t≤110°C

Size	A	B	C	D	E	G
1216x1/2	41.7	97.7	8	12.7	67.5	1/2
1620x1/2	41.7	97.7	12.3	12.7	64.5	1/2

**9203** 黄铜铝塑管燃气球阀  
Brass Gas Ball Valve For PEX-AL-PEX  
(RQT-PN16)



**技术规范**  
公称压力: 1.6MPa  
工作介质: 天然气、人工煤气、液化石油气  
工作温度: -20°C≤t≤110°C

**Technical Standard**  
Nominal Pressure: 1.6MPa  
Working Medium: Natural Gas, Artificial Gas, Liquefied Petroleum Gas  
Working Temperature: -20°C≤t≤110°C

过流自动切断阀系列  
Automatic Shut-off Gas Ball Valve

★产品设计按CJ/T180-2014设计



★产品设计按CJ/T180-2014设计



★产品设计按CJ/T180-2014设计  
★可根据安装需求增加底座结构，底座方向可调。  
★可实现带气测管路压力。



**R12002** 黄铜外螺纹胶管切断球阀  
Brass Automatic Shut-off Gas Ball Valve With  
Nozzle MM (RQJ-PN0.15)

**技术规范**  
公称压力: 0.015MPa  
工作介质: 天然气、人工煤气、液化石油气  
工作温度: -20°C≤t≤60°C  
圆锥管螺纹符合ISO228标准  
过流切断量: 1.2m³/h、1.5m³/h

**Technical Standard**  
Nominal Pressure: 0.015MPa  
Working Medium: Natural Gas, Artificial Gas, Liquefied Petroleum Gas  
Working Temperature: -20°C≤t≤60°C  
Parallel Pipe Thread to ISO228  
Volume Of Cutting Off The Flow: 1.2m³/h、1.5m³/h

**R12401** 黄铜内螺纹胶管切断球阀  
Brass Automatic Shut-off Gas Ball Valve With  
Nozzle FF (RQJ-PN0.15)

**技术规范**  
公称压力: 0.015MPa  
工作介质: 天然气、人工煤气、液化石油气  
工作温度: -20°C≤t≤60°C  
圆柱管螺纹符合ISO228标准  
过流切断量: 1.2m³/h、1.5m³/h

**Technical Standard**  
Nominal Pressure: 0.015MPa  
Working Medium: Natural Gas, Artificial Gas, Liquefied Petroleum Gas  
Working Temperature: -20°C≤t≤60°C  
Parallel Pipe Thread to ISO228  
Volume Of Cutting Off The Flow: 1.2m³/h、1.5m³/h

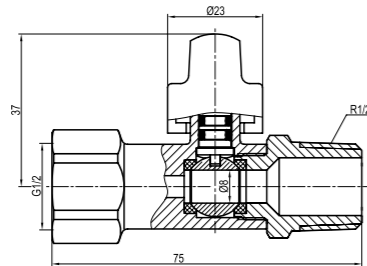
**R12201** 带底座测压过流切断球阀  
Brass Automatic Shut-off Gas Ball Valve  
(RQJ-PN0.15)

**技术规范**  
公称压力: 0.015MPa  
工作介质: 天然气、人工煤气、液化石油气  
工作温度: -20°C≤t≤60°C  
圆锥管螺纹符合ISO228标准  
过流切断量: 1.2m³/h、1.5m³/h

**Technical Standard**  
Nominal Pressure: 0.015MPa  
Working Medium: Natural Gas, Artificial Gas, Liquefied Petroleum Gas  
Working Temperature: -20°C≤t≤60°C  
Parallel Pipe Thread to ISO228  
Volume Of Cutting Off The Flow: 1.2m³/h、1.5m³/h

★产品设计按CJ/T180-2014设计

**R12301** 黄铜内外螺纹自动切断球阀  
Brass Automatic Shut-off Gas Ball Valve MF (RQZ-PN0.15)



技术规范

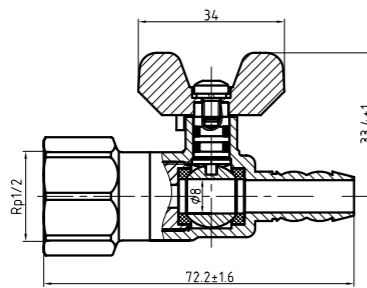
公称压力: 0.015MPa  
工作介质: 天然气、人工煤气、液化石油气  
工作温度:  $-20^{\circ}\text{C} \leq t \leq 60^{\circ}\text{C}$   
圆柱管螺纹符合ISO228标准  
过流切断量:  $1.2\text{m}^3/\text{h}$ 、 $1.5\text{m}^3/\text{h}$

Technical Standard

Nominal Pressure: 0.015MPa  
Working Medium: Natural Gas, Artificial Gas, Liquefied Petroleum Gas  
Working Temperature:  $-20^{\circ}\text{C} \leq t \leq 60^{\circ}\text{C}$   
Parallel Pipe Thread to ISO228  
Volume Of Cutting Off The Flow:  $1.2\text{m}^3/\text{h}$ 、 $1.5\text{m}^3/\text{h}$

★产品设计按CJ/T180-2014设计

**R11403** 黄铜内螺纹胶管切断球阀  
Internal Thread Hosecut Off Ball Valve



技术规范

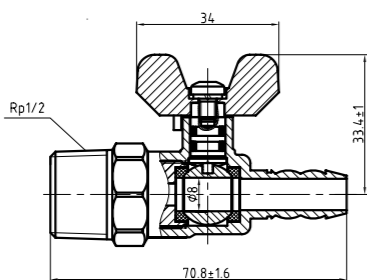
公称压力: 0.015MPa  
工作介质: 天然气、人工煤气、液化石油气  
工作温度:  $-20^{\circ}\text{C} \leq t \leq 60^{\circ}\text{C}$   
圆柱管螺纹符合ISO228标准  
过流切断量:  $1.2\text{m}^3/\text{h}$ 、 $1.5\text{m}^3/\text{h}$

Technical Standard

Nominal Pressure: 0.015MPa  
Working Medium: Natural Gas, Artificial Gas, Liquefied Petroleum Gas  
Working Temperature:  $-20^{\circ}\text{C} \leq t \leq 60^{\circ}\text{C}$   
Parallel Pipe Thread to ISO228  
Volume Of Cutting Off The Flow:  $1.2\text{m}^3/\text{h}$ 、 $1.5\text{m}^3/\text{h}$

★产品设计按CJ/T180-2014设计

**R11404** 黄铜外螺纹胶管切断球阀  
Externally L Thread Hosecut Off Ball Valve



技术规范

公称压力: 0.015MPa  
工作介质: 天然气、人工煤气、液化石油气  
工作温度:  $-20^{\circ}\text{C} \leq t \leq 60^{\circ}\text{C}$   
圆柱管螺纹符合ISO228标准  
过流切断量:  $1.2\text{m}^3/\text{h}$ 、 $1.5\text{m}^3/\text{h}$

Technical Standard

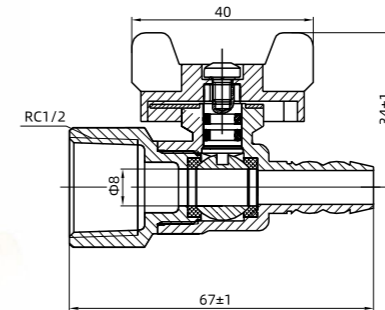
Nominal Pressure: 0.015MPa  
Working Medium: Natural Gas, Artificial Gas, Liquefied Petroleum Gas  
Working Temperature:  $-20^{\circ}\text{C} \leq t \leq 60^{\circ}\text{C}$   
Parallel Pipe Thread to ISO228  
Volume Of Cutting Off The Flow:  $1.2\text{m}^3/\text{h}$ 、 $1.5\text{m}^3/\text{h}$

“开关”标识系列  
Switch identification Valve



- ★实时显示“开/关”一种状态
- ★“开与关”具有夜视功能

**R12701** 内螺纹胶管球阀  
Internal Thread Hose Ball Valve



技术规范

公称压力: 0.015MPa  
工作介质: 天然气、人工煤气、液化石油气  
工作温度:  $-20^{\circ}\text{C} \leq t \leq 110^{\circ}\text{C}$   
圆柱管螺纹符合ISO228标准

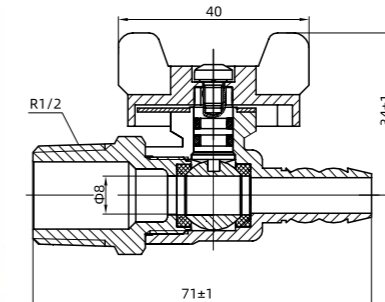
Technical Standard

Nominal Pressure: 0.015MPa  
Working Medium: Natural Gas, Artificial Gas, Liquefied Petroleum Gas  
Working Temperature:  $-20^{\circ}\text{C} \leq t \leq 110^{\circ}\text{C}$   
Parallel Pipe Thread to ISO228



- ★实时显示“开/关”一种状态
- ★“开与关”具有夜视功能

**R12702** 外螺纹胶管球阀  
Externally Thread Edhose Ball Valve



技术规范

公称压力: 0.015MPa  
工作介质: 天然气、人工煤气、液化石油气  
工作温度:  $-20^{\circ}\text{C} \leq t \leq 110^{\circ}\text{C}$   
圆柱管螺纹符合ISO228标准

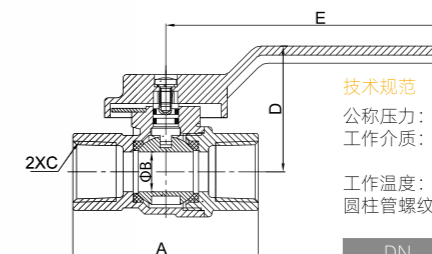
Technical Standard

Nominal Pressure: 0.015MPa  
Working Medium: Natural Gas, Artificial Gas, Liquefied Petroleum Gas  
Working Temperature:  $-20^{\circ}\text{C} \leq t \leq 110^{\circ}\text{C}$   
Parallel Pipe Thread to ISO228



- ★实时显示“开/关”一种状态
- ★“开与关”具有夜视功能

**R31002** 黄铜内螺纹燃气球阀  
Brass Internal Thread Gas Ball Valve



技术规范

公称压力: 0.015MPa  
工作介质: 天然气、人工煤气、液化石油气  
工作温度:  $-20^{\circ}\text{C} \leq t \leq 110^{\circ}\text{C}$   
圆柱管螺纹符合ISO228标准

Technical Standard

Nominal Pressure: 0.015MPa  
Working Medium: Natural Gas, Artificial Gas, Liquefied Petroleum Gas  
Working Temperature:  $-20^{\circ}\text{C} \leq t \leq 110^{\circ}\text{C}$   
Parallel Pipe Thread to ISO228

DN	A	B	C	D	E
15	65	14	RC1/2	44	100
20	75	19	RC3/4	50.7	100

- ★实时显示“开/关”一种状态
- ★“开与关”具有夜视功能

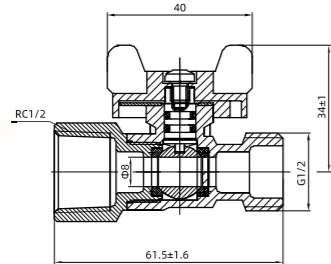
**R12801** 内外螺纹球阀  
Internal And External Thread Ball Valve

技术规范

公称压力: 0.015MPa  
工作介质: 天然气、人工煤气、液化石油气  
工作温度:  $-20^{\circ}\text{C}\leq t\leq 110^{\circ}\text{C}$   
圆柱管螺纹符合ISO228标准

Technical Standard

Nominal Pressure: 0.015MPa  
Working Medium: Natural Gas, Artificial Gas, Liquefied Petroleum Gas  
Working Temperature:  $-20^{\circ}\text{C}\leq t\leq 110^{\circ}\text{C}$   
Parallel Pipe Thread to ISO228



- ★实时显示“开/关”一种状态
- ★“开与关”具有夜视功能

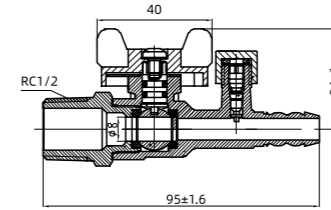
**R12902** 外螺纹测压胶管球阀  
External Thread Pressure Measuring Hose Ball Valve

技术规范

公称压力: 0.015MPa  
工作介质: 天然气、人工煤气、液化石油气  
工作温度:  $-20^{\circ}\text{C}\leq t\leq 110^{\circ}\text{C}$   
圆柱管螺纹符合ISO228标准

Technical Standard

Nominal Pressure: 0.015MPa  
Working Medium: Natural Gas, Artificial Gas, Liquefied Petroleum Gas  
Working Temperature:  $-20^{\circ}\text{C}\leq t\leq 110^{\circ}\text{C}$   
Parallel Pipe Thread to ISO228



- ★实时显示“开/关”一种状态
- ★“开与关”具有夜视功能

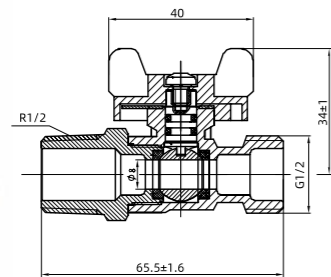
**R12802** 外螺纹球阀  
External Thread Ball Valve

技术规范

公称压力: 0.015MPa  
工作介质: 天然气、人工煤气、液化石油气  
工作温度:  $-20^{\circ}\text{C}\leq t\leq 110^{\circ}\text{C}$   
圆柱管螺纹符合ISO228标准

Technical Standard

Nominal Pressure: 0.015MPa  
Working Medium: Natural Gas, Artificial Gas, Liquefied Petroleum Gas  
Working Temperature:  $-20^{\circ}\text{C}\leq t\leq 110^{\circ}\text{C}$   
Parallel Pipe Thread to ISO228



- ★实时显示“开/关”一种状态
- ★“开与关”具有夜视功能

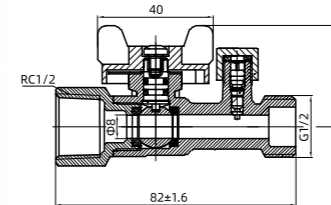
**R13001** 内外螺纹测压球阀  
Internal And External Thread Pressure Ball Valve

技术规范

公称压力: 0.015MPa  
工作介质: 天然气、人工煤气、液化石油气  
工作温度:  $-20^{\circ}\text{C}\leq t\leq 110^{\circ}\text{C}$   
圆柱管螺纹符合ISO228标准

Technical Standard

Nominal Pressure: 0.015MPa  
Working Medium: Natural Gas, Artificial Gas, Liquefied Petroleum Gas  
Working Temperature:  $-20^{\circ}\text{C}\leq t\leq 110^{\circ}\text{C}$   
Parallel Pipe Thread to ISO228



- ★实时显示“开/关”一种状态
- ★“开与关”具有夜视功能

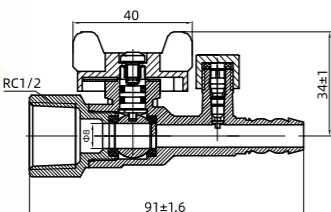
**R12901** 内螺纹测压胶管球阀  
Internal Thread Pressure Measuring Hose Ball Valve

技术规范

公称压力: 0.015MPa  
工作介质: 天然气、人工煤气、液化石油气  
工作温度:  $-20^{\circ}\text{C}\leq t\leq 110^{\circ}\text{C}$   
圆柱管螺纹符合ISO228标准

Technical Standard

Nominal Pressure: 0.015MPa  
Working Medium: Natural Gas, Artificial Gas, Liquefied Petroleum Gas  
Working Temperature:  $-20^{\circ}\text{C}\leq t\leq 110^{\circ}\text{C}$   
Parallel Pipe Thread to ISO228



- ★实时显示“开/关”一种状态
- ★“开与关”具有夜视功能

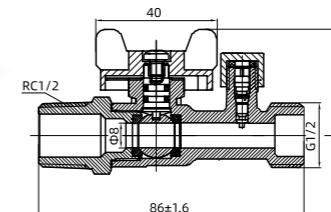
**R13002** 外螺纹测压球阀  
External Thread Pressure Ball Valve

技术规范

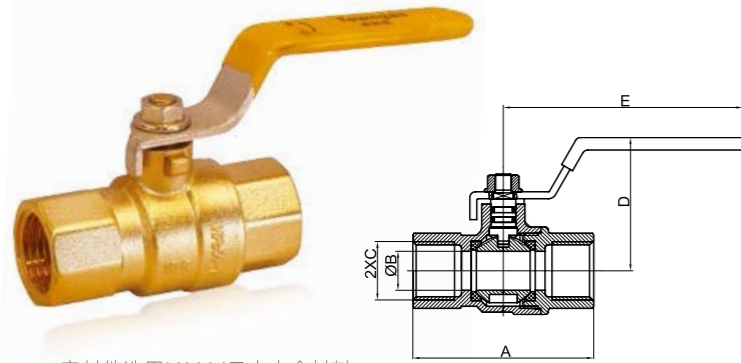
公称压力: 0.015MPa  
工作介质: 天然气、人工煤气、液化石油气  
工作温度:  $-20^{\circ}\text{C}\leq t\leq 110^{\circ}\text{C}$   
圆柱管螺纹符合ISO228标准

Technical Standard

Nominal Pressure: 0.015MPa  
Working Medium: Natural Gas, Artificial Gas, Liquefied Petroleum Gas  
Working Temperature:  $-20^{\circ}\text{C}\leq t\leq 110^{\circ}\text{C}$   
Parallel Pipe Thread to ISO228



港华系列  
Towngas Valves Series



密封件选用M111/日本大金材料  
O型圈选用意大利NBR材料, 符合EN682标准

**9243** 黄铜内螺纹燃气球阀  
Gas Ball Valve FF (RQL-PN16)

技术规范

公称压力: 1.6MPa  
工作介质: 天然气、人工煤气、液化石油气  
工作温度: -20°C≤t≤110°C  
圆锥管螺纹符合ISO7标准  
圆柱管螺纹符合ISO228标准

Technical Standard

Nominal Pressure: 1.6 MPa  
Working Medium: Natural gas, Artificial gas, Liquefied petroleum gas  
Working Temperature: -20°C≤t≤110°C  
Taper Pipe Thread to ISO7  
Parallel Pipe Thread to ISO228

DN	A	B	C	D	E
15	65	14	RP1/2	48	86
20	75	19	RP3/4	53	113
25	86	24	RP1	57	113
32	105	30	RP1 1/4	68	131
40	106	38	RP1 1/2	76	156
50	130	49	RP2	85	156

★ 防盗结构, 阀门关闭后需用专用工具方能开启。

**9246A** 黄铜内螺纹磁控锁式球阀  
Lockable Gas Ball Valve FF (RQL-PN16)

技术规范

公称压力: 1.6MPa  
工作介质: 天然气、人工煤气、液化石油气  
工作温度: -20°C≤t≤80°C  
圆锥管螺纹符合ISO7标准  
圆柱管螺纹符合ISO228标准

Technical Standard

Nominal Pressure: 1.6 MPa  
Working Medium: Natural gas, Artificial gas, Liquefied petroleum gas  
Working Temperature: -20°C≤t≤80°C  
Taper Pipe Thread to ISO7  
Parallel Pipe Thread to ISO228



密封件选用M111/日本大金材料  
O型圈选用意大利NBR材料, 符合EN682标准

★ 产品设计按CJ/T180-2014设计  
★ 全通径系列, 长度符合N4要求。

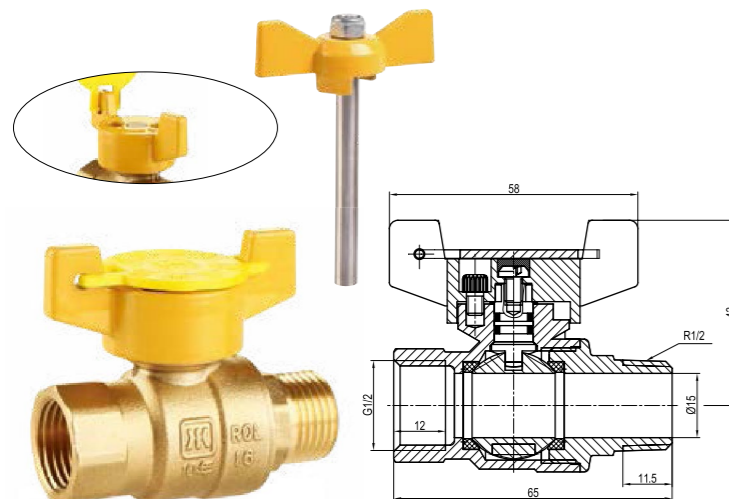
**R50602** 黄铜内外丝防盗球阀  
Brass Gas Ball Valve Anti-theft (RQL-PN16)

技术规范

公称压力: 1.6 MPa  
工作介质: 天然气、人工煤气、液化石油气  
工作温度: -20°C≤t≤110°C  
圆锥管螺纹符合ISO7标准  
圆柱管螺纹符合ISO228标准

Technical Standard

Nominal Pressure: 1.6 MPa  
Working Medium: Natural Gas, Artificial Gas, Liquefied Petroleum Gas  
Working Temperature: -20°C≤t≤110°C  
Parallel Pipe Thread to ISO228



★ 产品设计按CJ/T180-2014设计

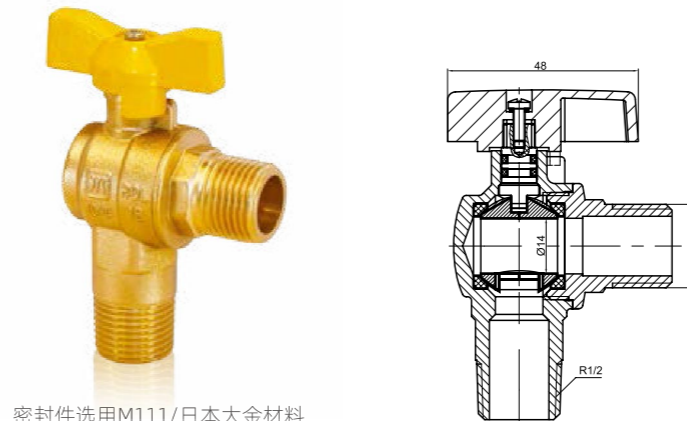
**R30401** 黄铜外螺纹直角球阀  
Gas Ball Valve MM (RQL-PN16)

技术规范

公称压力: 1.6MPa  
工作介质: 天然气、人工煤气、液化石油气  
工作温度: -20°C≤t≤110°C  
圆锥管螺纹符合ISO7标准  
圆柱管螺纹符合ISO228标准

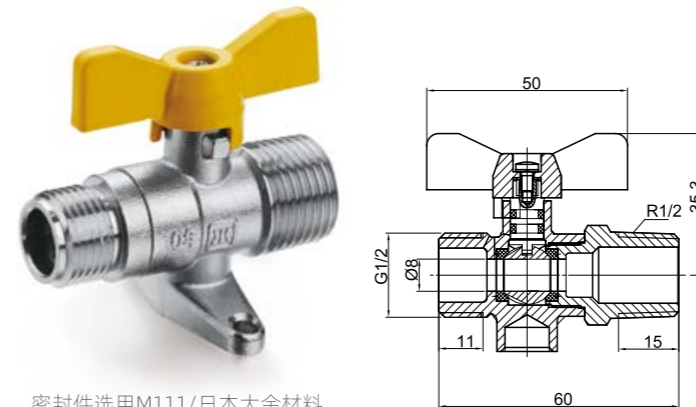
Technical Standard

Nominal Pressure: 1.6 MPa  
Working Medium: Natural gas, Artificial gas, Liquefied petroleum gas  
Working Temperature: -20°C≤t≤110°C  
Taper Pipe Thread to ISO7  
Parallel Pipe Thread to ISO228



密封件选用M111/日本大金材料  
O型圈选用意大利NBR材料, 符合EN682标准

波纹管燃气球阀系列  
Gas Ball Valve For Wavy Hoses



密封件选用M111/日本大金材料  
O型圈选用意大利NBR材料, 符合EN682标准

**R10201** 黄铜外螺纹带底座球阀  
Gas Ball Valve MM (RQZ-PN0.15)

技术规范

公称压力: 0.015MPa  
工作介质: 天然气、人工煤气、液化石油气  
工作温度: -20°C≤t≤110°C  
圆锥管螺纹符合ISO7标准  
圆柱管螺纹符合ISO228标准

Technical Standard

Nominal Pressure: 0.015 MPa  
Working Medium: Natural gas, Artificial gas, Liquefied petroleum gas  
Working Temperature: -20°C≤t≤110°C  
Taper Pipe Thread to ISO7  
Parallel Pipe Thread to ISO228

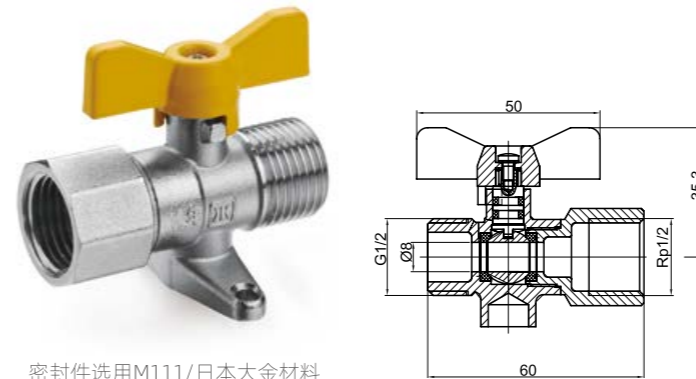
**R10202** 黄铜内外螺纹带底座球阀  
Gas Ball Valve FM (RQZ-PN0.15)

技术规范

公称压力: 0.015MPa  
工作介质: 天然气、人工煤气、液化石油气  
工作温度: -20°C≤t≤110°C  
圆锥管螺纹符合ISO7标准  
圆柱管螺纹符合ISO228标准

Technical Standard

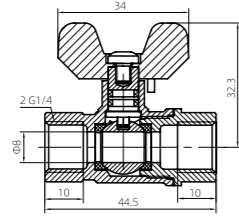
Nominal Pressure: 0.015 MPa  
Working Medium: Natural gas, Artificial gas, Liquefied petroleum gas  
Working Temperature: -20°C≤t≤110°C  
Taper Pipe Thread to ISO7  
Parallel Pipe Thread to ISO228



密封件选用M111/日本大金材料  
O型圈选用意大利NBR材料, 符合EN682标准

燃气铝塑专用管件  
FITTINGS FOR GAS AL-PLASTIC PIPES

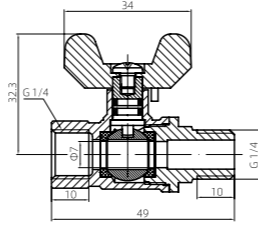
**9204** 黄铜内螺纹球阀  
Brass internal thread ball valve



**技术规范**  
公称压力: 1.6MPa  
工作介质: 天然气、人工煤气、液化石油气  
工作温度: -20°C≤t≤110°C  
圆锥管螺纹符合ISO7标准  
圆柱管螺纹符合ISO228标准

**Technical Standard**  
Nominal Pressure: 1.6 MPa  
Working Medium: Natural gas, Artificial gas, Liquefied petroleum gas  
Working Temperature: -20°C≤t≤110°C  
Taper Pipe Thread to ISO7  
Parallel Pipe Thread to ISO228

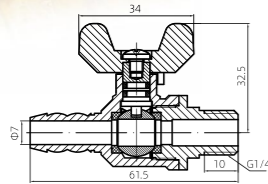
**9212** 黄铜内外螺纹球阀  
Brass internal and external thread ball valve



**技术规范**  
公称压力: 1.6MPa  
工作介质: 天然气、人工煤气、液化石油气  
工作温度: -20°C≤t≤110°C  
圆锥管螺纹符合ISO7标准  
圆柱管螺纹符合ISO228标准

**Technical Standard**  
Nominal Pressure: 1.6 MPa  
Working Medium: Natural gas, Artificial gas, Liquefied petroleum gas  
Working Temperature: -20°C≤t≤110°C  
Taper Pipe Thread to ISO7  
Parallel Pipe Thread to ISO228

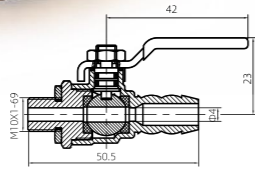
**9213** 黄铜内外螺纹球阀  
Brass outer wire straight mouth ball valve



**技术规范**  
公称压力: 1.6MPa  
工作介质: 天然气、人工煤气、液化石油气  
工作温度: -20°C≤t≤110°C  
圆锥管螺纹符合ISO7标准  
圆柱管螺纹符合ISO228标准

**Technical Standard**  
Nominal Pressure: 1.6 MPa  
Working Medium: Natural gas, Artificial gas, Liquefied petroleum gas  
Working Temperature: -20°C≤t≤110°C  
Taper Pipe Thread to ISO7  
Parallel Pipe Thread to ISO228

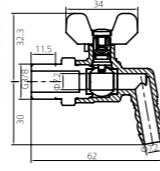
**9214** 黄铜外丝直嘴球阀  
Brass outer wire curved ball valve



**技术规范**  
公称压力: 1.6MPa  
工作介质: 天然气、人工煤气、液化石油气  
工作温度: -20°C≤t≤110°C  
圆锥管螺纹符合ISO7标准  
圆柱管螺纹符合ISO228标准

**Technical Standard**  
Nominal Pressure: 1.6 MPa  
Working Medium: Natural gas, Artificial gas, Liquefied petroleum gas  
Working Temperature: -20°C≤t≤110°C  
Taper Pipe Thread to ISO7  
Parallel Pipe Thread to ISO228

**9210** 黄铜外丝弯嘴球阀  
Brass outer wire curved ball valve



**技术规范**  
公称压力: 1.6MPa  
工作介质: 天然气、人工煤气、液化石油气  
工作温度: -20°C≤t≤110°C  
圆锥管螺纹符合ISO7标准  
圆柱管螺纹符合ISO228标准

**Technical Standard**  
Nominal Pressure: 1.6 MPa  
Working Medium: Natural gas, Artificial gas, Liquefied petroleum gas  
Working Temperature: -20°C≤t≤110°C  
Taper Pipe Thread to ISO7  
Parallel Pipe Thread to ISO228

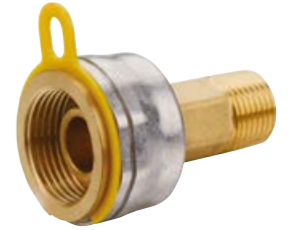
燃气表接头系列  
COUPLINGS FOR GAS METERS



**TC-900**  
黄铜测压燃气表接头



**4602**  
黄铜燃气表接头



**TF-901**  
黄铜防盗燃气表接头



**T-217**  
防盗燃气表接头



**T213**  
碳钢燃气表接头



**T216A**  
黄铜弯管接头



**T206**  
黄铜铝塑管 45°燃气表接头



**T210**  
内丝直接表接头

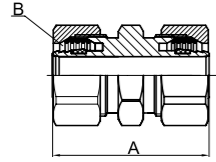


**T210**  
黄铜铝塑管 90°燃气表接头



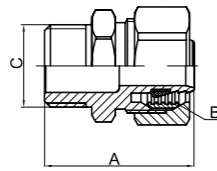
**T119**  
燃气格林接头

燃气铝塑专用管件  
FITTINGS FOR GAS AL-PLASTIC PIPES



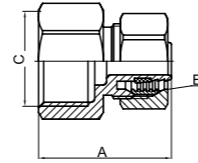
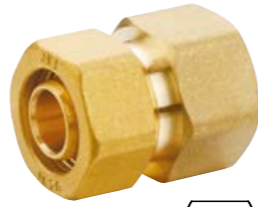
Size	A	B
S1216x1216	47	1216
S1418x1418	50	1418
S1620x1620	50	1620

**F100** 黄铜铝塑复合管接头  
等径直通管接头



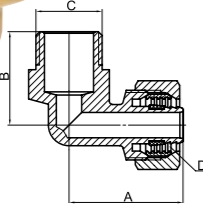
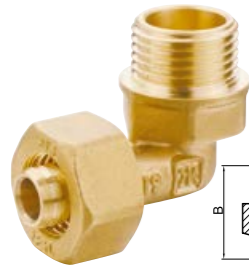
Size	A	B	C
S1216x1/2M	37	1216	1/2
S1418x1/2M	38	1418	1/2

**F100** 黄铜铝塑复合管接头  
外牙直通管接头



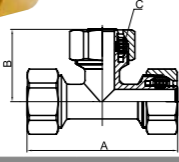
Size	A	B	C
S1216x1/2F	36	1216	1/2
S1216x3/4F	39	1216	1/2
S1418x1/2F	38	1418	1/2
S1620x3/4F	39	1620	3/4

**F100** 黄铜铝塑复合管接头  
内牙直通管接头



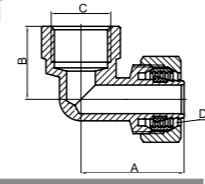
Size	A	B	C	D
L1216x1/2M	36	29.5	1/2	1216

**F100** 黄铜铝塑复合管接头  
外牙弯头



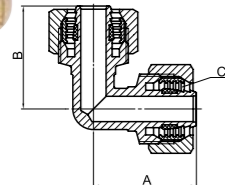
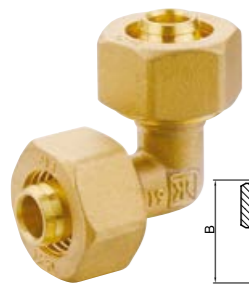
Size	A	B	C
T1216x1216x1216	68	33	1216
T1418x1418x1418	70	34	1418
T1620x1620x1620	74	35.5	1620

**F100** 黄铜铝塑复合管接头  
等径三通管接头



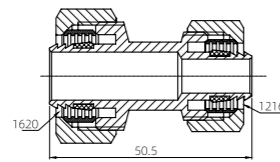
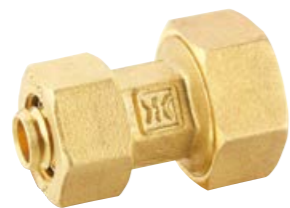
Size	A	B	C	D
L1216x1/2F	36	24.5	1/2	1216
L1418x1/2F	36	25.5	1/2	1418
L1620x1/2F	36	26	1/2	1620

**F100** 黄铜铝塑复合管接头  
内牙弯头



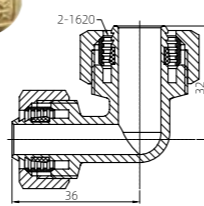
Size	A	B	C
L1216x1216	32.5	32.5	1216

**F100**  
等径弯头



S1216x1620

**T-210**  
异径直接

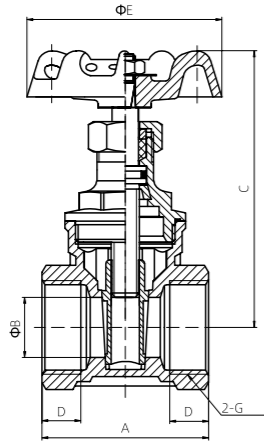


L1216x1620

**T-210**  
异径弯头

中央空调 系列  
CENTRAL AIR-CONDITIONING SERIES





**9105** 黄铜闸阀  
Brass Gate Valve (Z15W-16T)

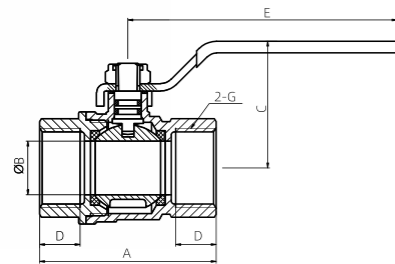
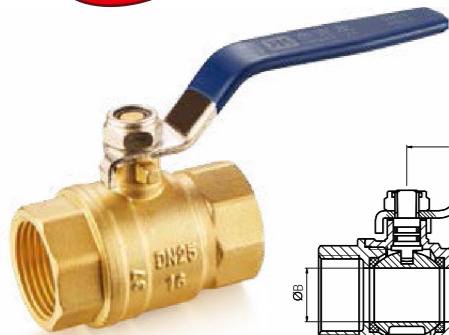
技术规范

公称压力: 1.6 MPa  
工作介质: 水、非腐蚀性液体、饱和蒸汽( $\leq 0.6$ MPa)  
工作温度:  $-20^{\circ}\text{C} \leq t \leq 150^{\circ}\text{C}$   
圆柱管螺纹符合ISO228标准

Technical Standard

Nominal Pressure: 1.6 MPa  
Working Medium: Water, Non-causticity liquid, Saturated steam( $\leq 0.6$ MPa)  
Working Temperature:  $-20^{\circ}\text{C} \leq t \leq 150^{\circ}\text{C}$   
Parallel Pipe Thread to ISO228

DN	A	B	C	D	E	G
15	43.5	13	72.5	10.5	54	1/2
20	47	17	78	11	54	3/4
25	64.5	21	91.5	13	60	1
32	75	27	105	13.5	72	1 1/4
40	82	34	117	14	72	1 1/2
50	100	45	143	16	80	2



**9266** 黄铜球阀  
Brass Ball Valve (Q11F-16T)

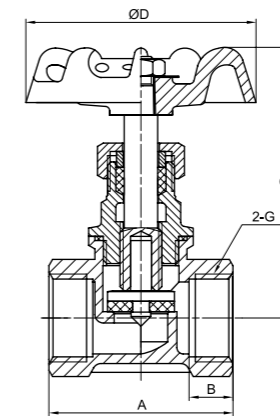
技术规范

公称压力: 1.6 MPa  
工作介质: 水、非腐蚀性液体  
工作温度:  $-10^{\circ}\text{C} \leq t \leq 100^{\circ}\text{C}$   
圆柱管螺纹符合ISO228标准

Technical Standard

Nominal Pressure: 1.6 MPa  
Working Medium: Water, Non-causticity liquid  
Working Temperature:  $-10^{\circ}\text{C} \leq t \leq 100^{\circ}\text{C}$   
Parallel Pipe Thread to ISO228

DN	A	B	C	D	E	G
15	52	13	39.1	12.5	90	1/2
20	59	18	42.4	13.5	90	3/4
25	71	24	55.3	14.5	110	1
32	81	30	60.8	15.5	140.2	1 1/4
40	93.2	37	66.7	16.5	140.2	1 1/2
50	111	49.5	78.2	18.5	155.3	2



**312** 黄铜截止阀(软密封)  
Brass Stop Valve (J11F-16T)

技术规范

公称压力: 1.6 MPa  
工作介质: 水、非腐蚀性液体、饱和蒸汽( $\leq 0.6$ MPa)  
工作温度:  $-20^{\circ}\text{C} \leq t \leq 120^{\circ}\text{C}$   
圆柱管螺纹符合ISO228标准

Technical Standard

Nominal Pressure: 1.6 MPa  
Working Medium: Water, Non-causticity Liquid, Saturated steam( $\leq 0.6$ MPa)  
Working Temperature:  $-20^{\circ}\text{C} \leq t \leq 120^{\circ}\text{C}$   
Parallel Pipe Thread to ISO228

DN	Size	A	B	C	D	G
15	1/2	45	11	65-71	54	1/2
20	3/4	51	11	70.5-78	60	3/4
25	1	64.5	15	82-91	72	1
32	1 1/4	75	16	95-106.5	80	1 1/4
40	1 1/2	82	17	109-121	100	1 1/2
50	2	100	19	122.5-136	110	2

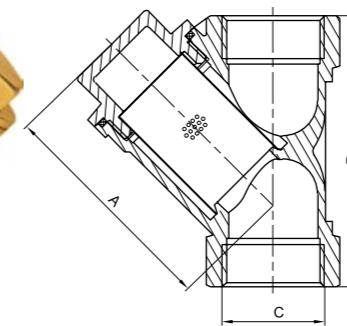
**606X** 黄铜过滤器  
Brass Strainer (SY11-16T)

技术规范

公称压力: 1.6 MPa  
工作介质: 水、非腐蚀性液体  
工作温度:  $0^{\circ}\text{C} \leq t \leq 150^{\circ}\text{C}$   
圆柱管螺纹符合ISO228标准

Technical Standard

Nominal Pressure: 1.6 MPa  
Working Medium: Water, Non-causticity liquid  
Working Temperature:  $0^{\circ}\text{C} \leq t \leq 150^{\circ}\text{C}$   
Parallel Pipe Thread to ISO228



DN	Size	A	B	C	过滤网目数
8	1/4	35	42	1/4	24x24
10	3/8	40.3	49	3/8	24x24
15	1/2	48	55.5	1/2	24x24
20	3/4	59	70	3/4	24x24
25	1	69	82	1	24x24
32	1 1/4	81	90	1 1/4	12x9
40	1 1/2	88	101	1 1/2	12x9
50	2	107	123.5	2	12x9
65	2 1/2	149.4	172	2 1/2	12x9

**311** 黄铜截止阀(硬密封)  
Brass Stop Valve (J11W-16T)

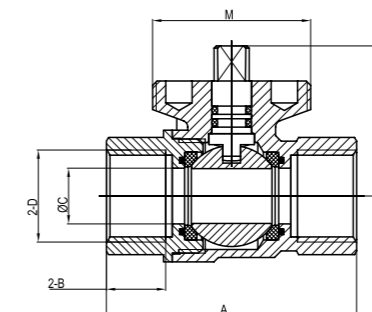
技术规范

公称压力: 1.6 MPa  
工作介质: 水、非腐蚀性液体、饱和蒸汽( $\leq 0.6$ MPa)  
工作温度:  $-20^{\circ}\text{C} \leq t \leq 150^{\circ}\text{C}$   
圆柱管螺纹符合ISO228标准

Technical Standard

Nominal Pressure: 1.6 MPa  
Working Medium: Water, Non-causticity Liquid, Saturated steam( $\leq 0.6$ MPa)  
Working Temperature:  $-20^{\circ}\text{C} \leq t \leq 150^{\circ}\text{C}$   
Parallel Pipe Thread to ISO228

DN	Size	A	B	C	D	G
15	1/2	45	11	65-68.5	54	1/2
20	3/4	51	11	71-76	60	3/4
25	1	64.5	15	82-90	72	1
32	1 1/4	75	16	65.4-106.5	80	1 1/4
40	1 1/2	82	17	109-121	100	1 1/2
50	2	100	19	122.5-136	110	2



**620** 电动球阀  
Motorized Ball Valve

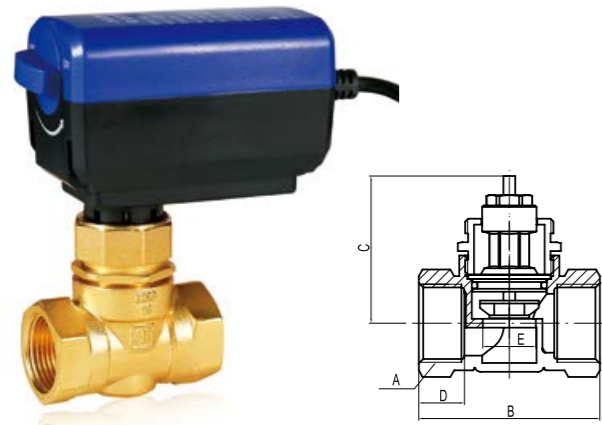
特点

- 球阀电机采用由双向同步电机驱动, 顺、逆时针旋转90°, 可有效防止球阀被管道污物卡阻;
- 球阀采用全通径设计, 减少产品压损, 保证管道流量及压力
- 驱动器之平面设计可以贴近墙面安装, 占用空间小。产品可靠耐用, 工作噪音低

技术参数

规格	通径	联接螺纹	工作介质	流体温度	环境温度	公称压力	电气规格
DN20	15	G3/4"	冷冻水 / 热水	0-94°C	0-40°C	2.5 MPa	24V
DN25	20	G1"					110V
DN32	25	G1 1/4"					220V
							50/60HZ





**768X** 电动阀(三线连接)  
Motorized Valve (J911X-16T)

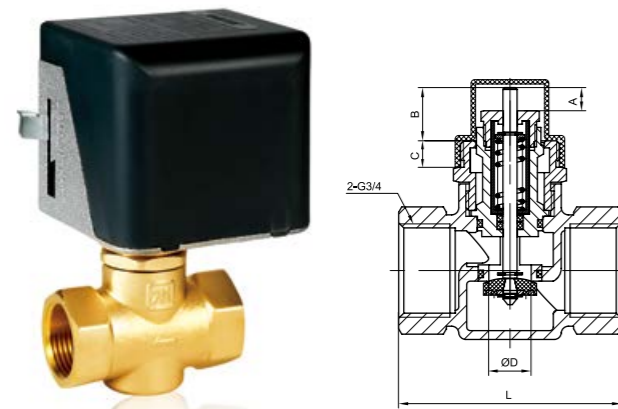
技术规范

公称压力: 1.6MPa  
工作介质: 水、非腐蚀性液体  
强度试验压力: 2.4MPa  
工作温度:  $-10^{\circ}\text{C} \leq T \leq 100^{\circ}\text{C}$

Technical Standard

Nominal Pressure: 1.6 MPa  
Working Medium: Water, Non-causticity Liquid  
Pressure of strength testing: 2.4MPa  
Working Temperature:  $-10^{\circ}\text{C} \leq T \leq 100^{\circ}\text{C}$

DN	A	B	C	D	E
20	G3/4	61.5	50	15.5	18
25	G1	70	53	17	22



**768** 电动阀(二线连接)  
Motorized Valve (J911X-16T)

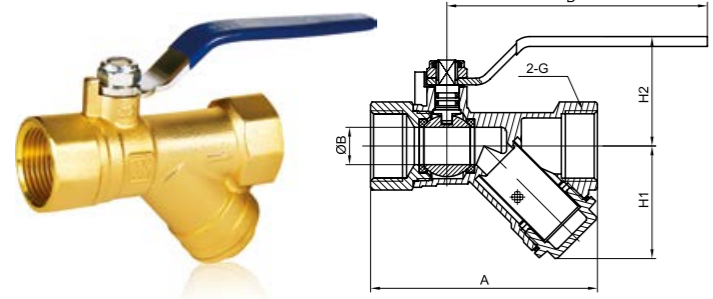
技术规范

公称压力: 2.0 MPa  
工作介质: 水、非腐蚀性液体  
密封压差: DN20: 0.25MPa  
DN25: 0.1MPa  
工作温度:  $-10^{\circ}\text{C} \leq T \leq 100^{\circ}\text{C}$   
圆柱管螺纹符合ISO228标准

Technical Standard

Nominal Pressure: 2.0 MPa  
Working Medium: Water, Non-causticity Liquid  
Sealing Pressure Difference: DN20: 0.25MPa  
DN25: 0.1MPa  
Working Temperature:  $-10^{\circ}\text{C} \leq T \leq 100^{\circ}\text{C}$   
Parallel Pipe Thread to ISO228

DN	Size	A	B	C	D	L	G
20	3/4	7	15	7.5	12	63	3/4
25	1	7	15	7.5	16.5	73	1



**261** 黄铜过滤球阀  
Brass Filter Ball Valve (Q11F-16T)

技术规范

公称压力: 1.6MPa  
工作介质: 水、非腐蚀性液体  
工作温度:  $-10^{\circ}\text{C} \leq T \leq 100^{\circ}\text{C}$   
圆柱管螺纹符合ISO228标准

Technical Standard

Nominal Pressure: 1.6 MPa  
Working Medium: Water,  
Non-causticity Liquid  
Working Temperature:  $-10^{\circ}\text{C} \leq T \leq 100^{\circ}\text{C}$   
Parallel Pipe Thread to ISO228

DN	A	B	D	H1	H2	G
15	78.8	12.5	98	37.6	40.1	1/2
20	85	14	98	42.2	41	3/4
25	107	19	98	53.1	44.2	1
32	117.8	24	110	61.3	56.9	1 1/4



**768**  
比例积分阀  
Proportional Integral Valve (J911X-16T)



**667**  
不锈钢波纹管 (加强型)  
Stainless Steel Waving Hose  
(Strengthen)



**668**  
不锈钢全波波纹管  
Stainless Full-Wave Hose



**668A**  
不锈钢全波波纹管  
Stainless Full-Wave Hose



**669**  
不锈钢半波波纹管  
Stainless Semi-Wave Hose



**669A**  
不锈钢半波波纹管  
Stainless Semi-Wave Hose



**642**  
按键式温控器  
Touch-Tone Thermostat



**642A**  
按键式温控器  
Touch-Tone Thermostat



**642B**  
触屏式温控器  
Air-conditioning Thermostat  
With Touch Screen



**642C**  
触屏式温控器  
Air-conditioning Thermostat  
With Touch Screen



**644**  
机械式温控器  
Mechanical Air-conditioning  
Thermostat

# 采暖产品系列 HVAC SERIES

## 采暖产品系列 HVAC SERIES

## JKLONG 杰克龙®



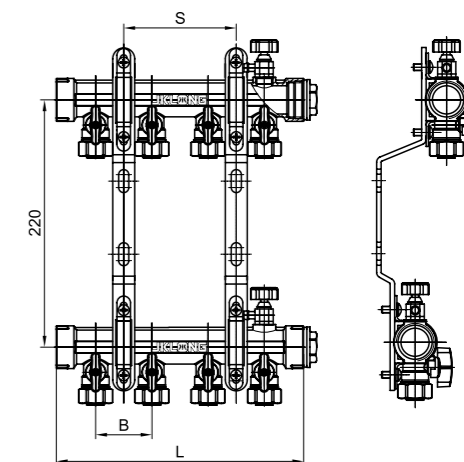
**F630** 一体式球阀型分集水器  
Integrated Manifold with Ball Valve

**技术规范**

公称压力: 1.0MPa  
适用介质: 冷热水  
工作温度:  $5^{\circ}\text{C} \leq t \leq 95^{\circ}\text{C}$   
连接支路管: 1216, 1620, 1620-2.3  
主管螺纹: ISO 228 标准  
支管间距: 50mm  
路数: 2-8 路  
规格: DN25  
表面处理: 镀镍

**Technical Standard**

Nominal Pressure: 1.0 Mpa  
Working Medium: Cold & hot water  
Working Temperature:  $5^{\circ}\text{C} \leq t \leq 95^{\circ}\text{C}$   
Branch Pipe Size: 1216/1620/1620-2.3  
Thread Standard: ISO228  
Branch Pipe Interval: 50mm  
Branch Pipe Quantity: 2-8  
Size: DN25  
Surface Treatment: Nickel Coating



路数 (n)	2	3	4	5	6
支路间距	50				
总长 (L)	120	170	220	270	320
支架间距 (S)	/	50	100	150	200



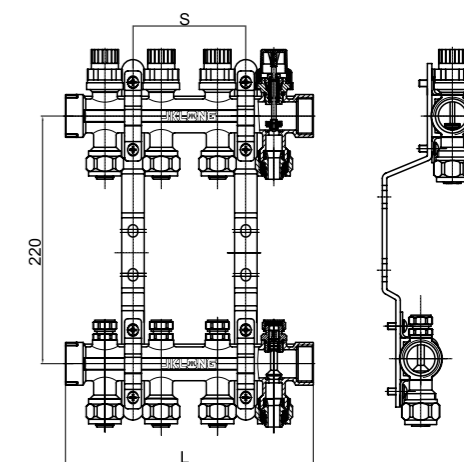
**F631** 一体式调节型分集水器  
Integrated Regulating Manifold

**技术规范**

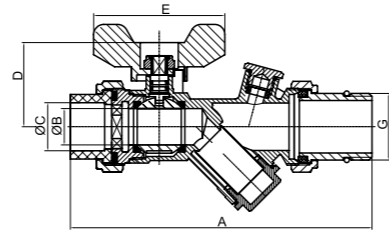
公称压力: 1.0MPa  
适用介质: 冷热水  
工作温度:  $5^{\circ}\text{C} \leq t \leq 95^{\circ}\text{C}$   
连接支路管: 1216, 1620, 1620-2.3  
主管螺纹: ISO 228 标准  
支管间距: 50mm  
路数: 2-8 路  
规格: DN25  
表面处理: 黄铜本色

**Technical Standard**

Nominal Pressure: 1.0 Mpa  
Working Medium: Cold & hot water  
Working Temperature:  $5^{\circ}\text{C} \leq t \leq 95^{\circ}\text{C}$   
Branch Pipe Size: 1216/1620/1620-2.3  
Thread Standard: ISO228  
Branch Pipe Interval: 50mm  
Branch Pipe Quantity: 2-8  
Size: DN25  
Surface Treatment: Brass Color



路数 (n)	2	3	4	5	6
支路间距	50				
总长 (L)	120	170	220	270	320
支架间距 (S)	/	50	100	150	200



**818** 黄铜多功能过滤球阀  
Brass Multi-function Ball Valve With Filter

技术规范

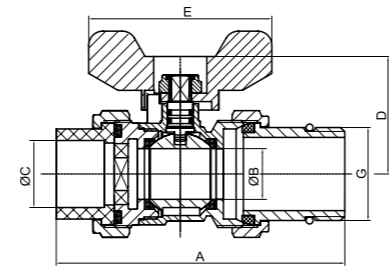
材质: HPb59-2A  
表面处理: 镀镍  
公称压力: 1.6MPa  
适用介质: 冷热水  
工作温度:  $-10^{\circ}\text{C} \leq t \leq 120^{\circ}\text{C}$   
连接螺纹: ISO 228 标准  
连接压力表螺纹: G1/4

Technical Standard

Nominal Pressure: 1.6 Mpa  
Working Medium: Cold & hot water  
Working Temperature:  $-10^{\circ}\text{C} \leq t \leq 120^{\circ}\text{C}$   
Material: Brass  
Thread Standard: ISO228  
Thread Connecting the Pressure Gauge: G1/4

备注: 接头材质可选择 PPR、PB、PERT

DN	A	B	C	D	E	G
1"X25	151	18	25	41.7	65	G1
1"X32	160	23.5	32	46	65	G1



**9272** 黄铜回水球阀  
Brass Return Ball Valve

技术规范

材质: HPb59-2A  
表面处理: 镀镍  
公称压力: 1.6MPa  
适用介质: 冷热水  
工作温度:  $-10^{\circ}\text{C} \leq t \leq 120^{\circ}\text{C}$   
连接螺纹: ISO 228 标准

Technical Standard

Nominal Pressure: 1.6 Mpa  
Surface Treatment: Nickel Coating  
Working Medium: Cold & hot water  
Working Temperature:  $-10^{\circ}\text{C} \leq t \leq 120^{\circ}\text{C}$   
Material: Brass  
Thread Standard: ISO228

备注: 接头材质可选择 PPR、PB、PERT

DN	A	B	C	D	E	G
1"X25	102.5	18	25	50.7	65	G1
1"X32	112.5	23.5	32	60	65	G1



**651** 电热执行器  
Electrothermal Actuator



**652** 电热执行器  
Electrothermal Actuator



**645** 按键式温控器  
Touch-Tone Thermostat



**645A** 按键式温控器  
Touch-Tone Thermostat



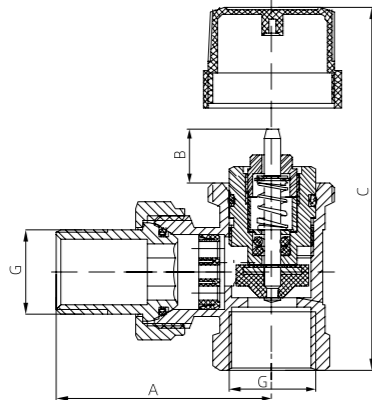
**646** 触屏式温控器  
Air-conditioning Thermostat With Touch Screen



**631** 排气堵头  
Touch-Tone Thermostat



**711** 黄铜组合式自动排气阀  
Brass Automatic Combined-type Exhausting Valve



**371** 黄铜自动温控阀  
Brass Automatic-controlled Radiator(J34W-16T)

技术规范

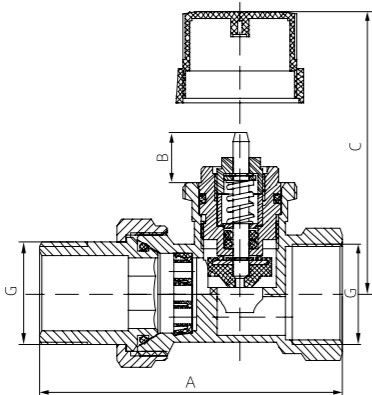
公称压力: 1.6 MPa  
工作介质: 水、饱和蒸汽  
( $\leq 0.6$ MPa)  
工作温度:  $0^{\circ}\text{C} \leq t \leq 120^{\circ}\text{C}$   
温控范围:  $6^{\circ}\text{C} \sim 28^{\circ}\text{C}$   
圆柱管螺纹符合ISO228标准

Technical Standard

Nominal Pressure: 1.6 MPa  
Working Medium: Water, Saturated  
steam( $\leq 0.6$ MPa)  
Working Temperature:  $0^{\circ}\text{C} \leq t \leq 120^{\circ}\text{C}$   
Temperature Range:  $6^{\circ}\text{C} \sim 28^{\circ}\text{C}$   
Parallel Pipe Thread to ISO228

DN	Size	A	B	C	G
15	1/2	51.5	13.4	62.4	1/2
20	3/4	57.5	13.4	65.7	3/4
25	1	62.5	13.4	73.7	1

具有带水带压换阀芯的功能;  
配有专用安装工具, 极大提高产品安装及维护效率。



**372** 黄铜自动温控阀  
Brass Automatic-controlled Radiator(J34W-16T)

技术规范

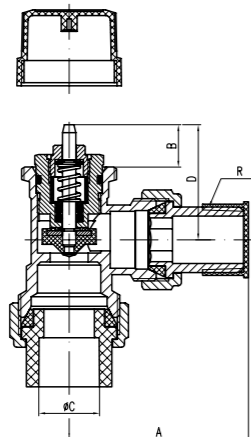
公称压力: 1.6 MPa  
工作介质: 水、饱和蒸汽  
( $\leq 0.6$ MPa)  
工作温度:  $0^{\circ}\text{C} \leq t \leq 120^{\circ}\text{C}$   
温控范围:  $6^{\circ}\text{C} \sim 28^{\circ}\text{C}$   
圆柱管螺纹符合ISO228标准

Technical Standard

Nominal Pressure: 1.6 MPa  
Working Medium: Water, Saturated  
steam( $\leq 0.6$ MPa)  
Working Temperature:  $0^{\circ}\text{C} \leq t \leq 120^{\circ}\text{C}$   
Temperature Range:  $6^{\circ}\text{C} \sim 28^{\circ}\text{C}$   
Parallel Pipe Thread to ISO228

DN	Size	A	B	C	G
15	1/2	74.5	13.4	48.7	1/2
20	3/4	79.5	13.4	49.7	3/4
25	1	83.5	13.4	50.7	1

具有带水带压换阀芯的功能;  
配有专用安装工具, 极大提高产品安装及维护效率。



**9364** 自动角式温控阀  
Brass Automatic Thermostatic Valve (J34F-16T)

技术规范

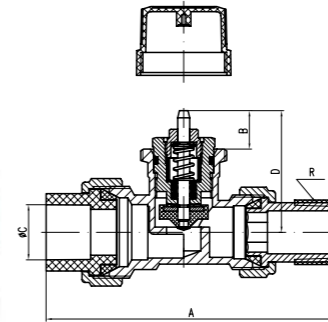
公称压力: 1.6 MPa  
工作介质: 水、饱和蒸汽  
( $\leq 0.6$ MPa)  
工作温度:  $0^{\circ}\text{C} \leq t \leq 120^{\circ}\text{C}$   
温控范围:  $6^{\circ}\text{C} \sim 28^{\circ}\text{C}$   
圆柱管螺纹符合ISO228标准

Technical Standard

Nominal Pressure: 1.6 MPa  
Working Medium: Water, Saturated  
steam( $\leq 0.6$ MPa)  
Working Temperature:  $0^{\circ}\text{C} \leq t \leq 120^{\circ}\text{C}$   
Temperature Range:  $6^{\circ}\text{C} \sim 28^{\circ}\text{C}$   
Parallel Pipe Thread to ISO228

备注: 接头材质可选择 PPR、PB、PERT

DN	A	B	C	D	R
15	56.7	13.4	19.2	36.4	R1/2
20	62.2	13.4	24.1	36.4	R3/4



**9365** 自动直式温控阀  
Brass Automatic Thermostatic Valve (J61F-16T)

技术规范

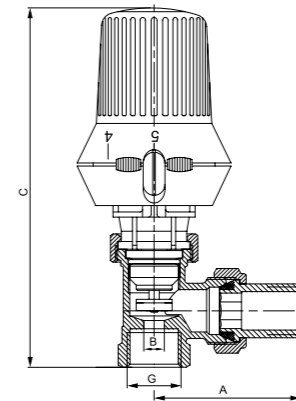
公称压力: 1.6 MPa  
工作介质: 水、饱和蒸汽  
( $\leq 0.6$ MPa)  
工作温度:  $0^{\circ}\text{C} \leq t \leq 120^{\circ}\text{C}$   
温控范围:  $6^{\circ}\text{C} \sim 28^{\circ}\text{C}$   
圆柱管螺纹符合ISO228标准

Technical Standard

Nominal Pressure: 1.6 MPa  
Working Medium: Water, Saturated  
steam( $\leq 0.6$ MPa)  
Working Temperature:  $0^{\circ}\text{C} \leq t \leq 120^{\circ}\text{C}$   
Temperature Range:  $6^{\circ}\text{C} \sim 28^{\circ}\text{C}$   
Parallel Pipe Thread to ISO228

备注: 接头材质可选择 PPR、PB、PERT

DN	A	B	C	D	R
15	101	13.4	19.2	42.4	R1/2
20	116.7	13.4	24.1	42.4	R3/4



**368** 黄铜自动温控阀  
Brass Automatic-controlled Radiator(J34W-16T)

技术规范

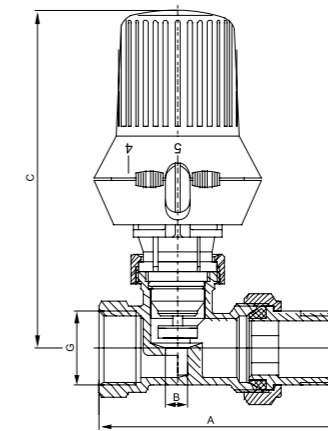
公称压力: 1.6 MPa  
工作介质: 水、饱和蒸汽  
( $\leq 0.6$ MPa)  
工作温度:  $0^{\circ}\text{C} \leq t \leq 120^{\circ}\text{C}$   
温控范围:  $6^{\circ}\text{C} \sim 28^{\circ}\text{C}$   
圆柱管螺纹符合ISO228标准

Technical Standard

Nominal Pressure: 1.6 MPa  
Working Medium: Water, Saturated  
steam( $\leq 0.6$ MPa)  
Working Temperature:  $0^{\circ}\text{C} \leq t \leq 120^{\circ}\text{C}$   
Temperature Range:  $6^{\circ}\text{C} \sim 28^{\circ}\text{C}$   
Parallel Pipe Thread to ISO228

DN	Size	A	B	C	G
15	1/2	57	8	140	1/2
20	3/4	63	8	140	3/4

具有带水带压换阀芯的功能;  
配有专用安装工具, 极大提高产品安装及维护效率。



**369** 黄铜自动温控阀  
Brass Automatic-controlled Radiator(J34W-16T)

技术规范

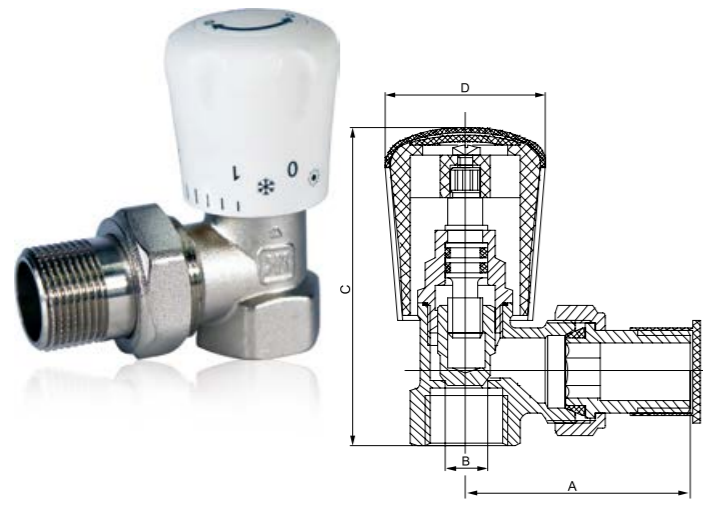
公称压力: 1.6 MPa  
工作介质: 水、饱和蒸汽  
( $\leq 0.6$ MPa)  
工作温度:  $0^{\circ}\text{C} \leq t \leq 120^{\circ}\text{C}$   
温控范围:  $6^{\circ}\text{C} \sim 28^{\circ}\text{C}$   
圆柱管螺纹符合ISO228标准

Technical Standard

Nominal Pressure: 1.6 MPa  
Working Medium: Water, Saturated  
steam( $\leq 0.6$ MPa)  
Working Temperature:  $0^{\circ}\text{C} \leq t \leq 120^{\circ}\text{C}$   
Temperature Range:  $6^{\circ}\text{C} \sim 28^{\circ}\text{C}$   
Parallel Pipe Thread to ISO228

DN	Size	A	B	C	G
15	1/2	81	12	122	1/2
20	3/4	88.5	13	122	3/4
25	1	90.5	14	122	1

具有带水带压换阀芯的功能;  
配有专用安装工具, 极大提高产品安装及维护效率。



**338** 角式手动温控阀  
Brass Hand Temperature-controlled Valve (J31W-16T)

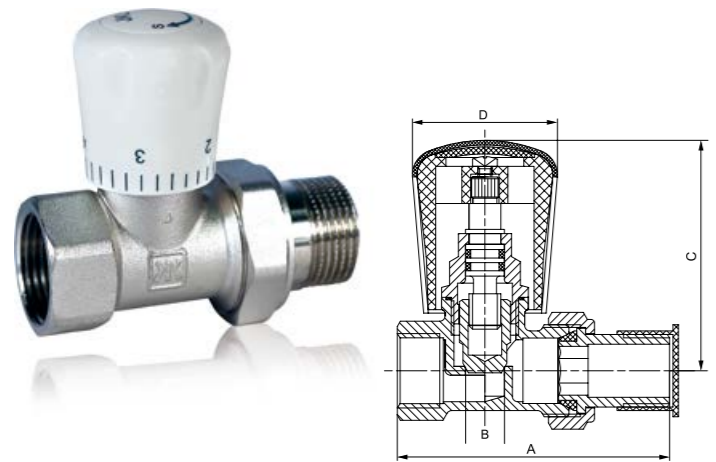
技术规范

公称压力: 1.6 MPa  
工作介质: 水、饱和蒸汽  
( $\leq 0.6$ MPa)  
工作温度:  $-10^{\circ}\text{C} \leq t \leq 120^{\circ}\text{C}$   
圆锥管螺纹符合ISO7标准  
圆柱管螺纹符合ISO228标准

Technical Standard

Nominal Pressure: 1.6 MPa  
Working Medium: Water, Saturated  
steam ( $\leq 0.6$ MPa)  
Working Temperature:  $-10^{\circ}\text{C} \leq t \leq 120^{\circ}\text{C}$   
Taper Pipe Thread to ISO7  
Parallel Pipe Thread to ISO228

DN	Size	A	B	C	D
15	1/2	59	11	81.5	41
20	3/4	62.5	15.5	88.35	48
25	1	67.4	19	93.3	48.7



**339** 直式手动温控阀  
Brass Hand Temperature-controlled Valve (J31W-16T)

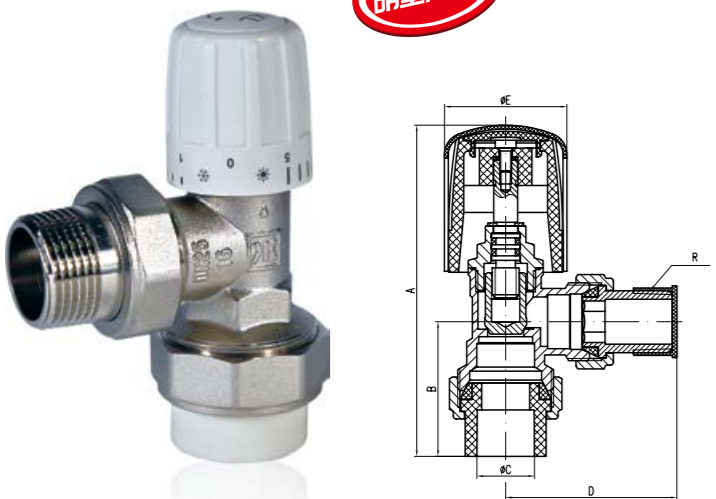
技术规范

公称压力: 1.6 MPa  
工作介质: 水、饱和蒸汽  
( $\leq 0.6$ MPa)  
工作温度:  $-10^{\circ}\text{C} \leq t \leq 120^{\circ}\text{C}$   
圆锥管螺纹符合ISO7标准  
圆柱管螺纹符合ISO228标准

Technical Standard

Nominal Pressure: 1.6 MPa  
Working Medium: Water, Saturated  
steam ( $\leq 0.6$ MPa)  
Working Temperature:  $-10^{\circ}\text{C} \leq t \leq 120^{\circ}\text{C}$   
Taper Pipe Thread to ISO7  
Parallel Pipe Thread to ISO228

DN	Size	A	B	C	D
15	1/2	79	11	66	41
20	3/4	90	72.3	88.35	48
25	1	97.5	19	73.3	48.7



**9340** 角式PPR手动温控阀  
Brass angle Manual Thermostatic Valve (PPR) (J64W-16T)

技术规范

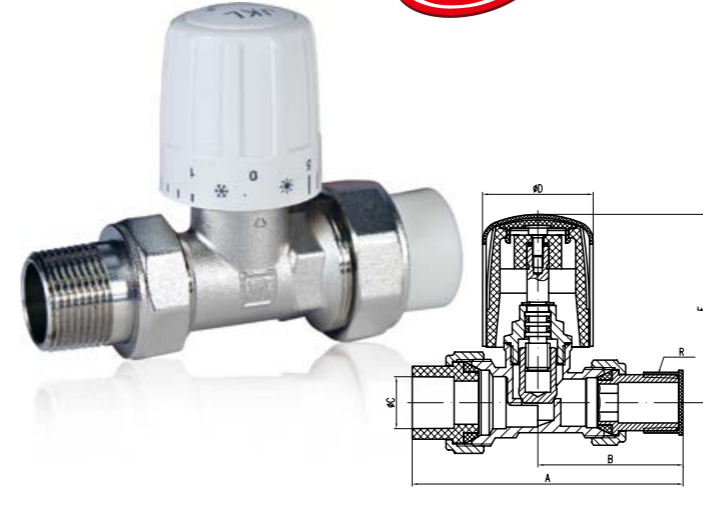
公称压力: 1.6 MPa  
工作介质: 水、饱和蒸汽  
( $\leq 0.6$ MPa)  
工作温度:  $-10^{\circ}\text{C} \leq t \leq 120^{\circ}\text{C}$   
圆锥管螺纹符合ISO7标准  
圆柱管螺纹符合ISO228标准

Technical Standard

Nominal Pressure: 1.6 MPa  
Working Medium: Water, Saturated  
steam ( $\leq 0.6$ MPa)  
Working Temperature:  $-10^{\circ}\text{C} \leq t \leq 120^{\circ}\text{C}$   
Taper Pipe Thread to ISO7  
Parallel Pipe Thread to ISO228

备注: 接头材质可选择 PPR、PB、PERT

DN	A	B	C	D	E	R
15	111	45	19.2	57.2	41	R1/2
20	122.4	56.5	24.1	62	48	R3/4



**9345** 直式PPR手动温控阀  
Brass Vertical Manual Thermostatic Valve (PPR)  
(J64W-16T)

技术规范

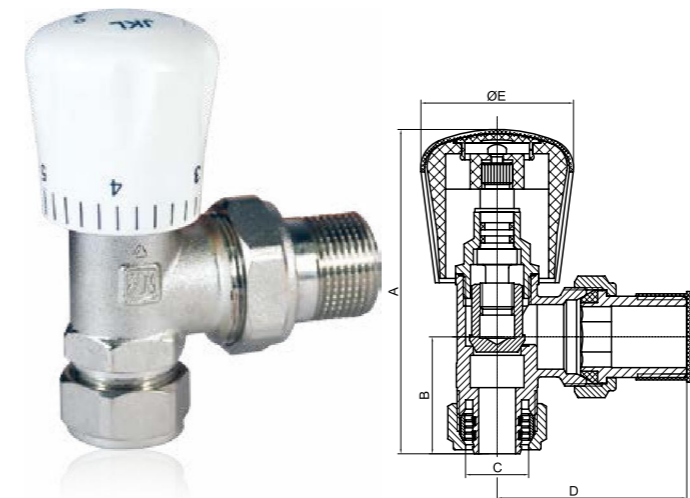
公称压力: 1.6 MPa  
工作介质: 水、饱和蒸汽  
( $\leq 0.6$ MPa)  
工作温度:  $-10^{\circ}\text{C} \leq t \leq 120^{\circ}\text{C}$   
圆锥管螺纹符合ISO7标准  
圆柱管螺纹符合ISO228标准

Technical Standard

Nominal Pressure: 1.6 MPa  
Working Medium: Water, Saturated  
steam ( $\leq 0.6$ MPa)  
Working Temperature:  $-10^{\circ}\text{C} \leq t \leq 120^{\circ}\text{C}$   
Taper Pipe Thread to ISO7  
Parallel Pipe Thread to ISO228

备注: 接头材质可选择 PPR、PB、PERT

DN	A	B	C	D	E	R
15	100	53.7	19.2	41	69.6	R1/2
20	114.2	57.7	24.1	48	72.2	R3/4



**377** 角式铝塑管手动温控阀  
Brass angle Manual Thermostatic Valve (Aluminum  
Plastic Pipe) (J64W-16T)

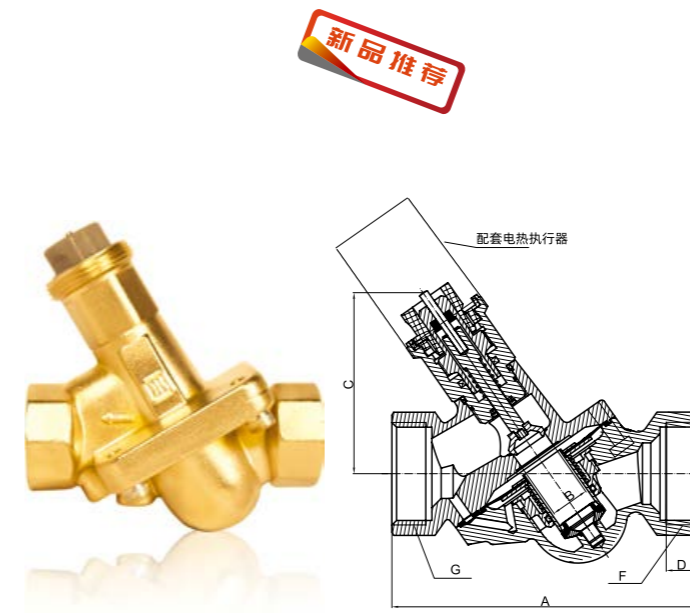
技术规范

公称压力: 1.6 MPa  
工作介质: 水、饱和蒸汽  
( $\leq 0.6$ MPa)  
工作温度:  $-10^{\circ}\text{C} \leq t \leq 120^{\circ}\text{C}$   
圆锥管螺纹符合ISO7标准  
圆柱管螺纹符合ISO228标准

Technical Standard

Nominal Pressure: 1.6 MPa  
Working Medium: Water, Saturated  
steam ( $\leq 0.6$ MPa)  
Working Temperature:  $-10^{\circ}\text{C} \leq t \leq 120^{\circ}\text{C}$   
Taper Pipe Thread to ISO7  
Parallel Pipe Thread to ISO228

DN	A	B	C	D	E	G
15	97.5	35	121.6	59	41	G1/2
20	105	38	162.0	63	48	G3/4



**834** 动态平衡阀  
Brass Dynamic Balancing Valve (J64W-16T)

产品特点:

稳定流量, 节能降耗  
操作简单, 安装便利  
功能稳定, 耐久实用  
流量可调, 可实现自动化控制  
保护管路设备, 提高安全性能

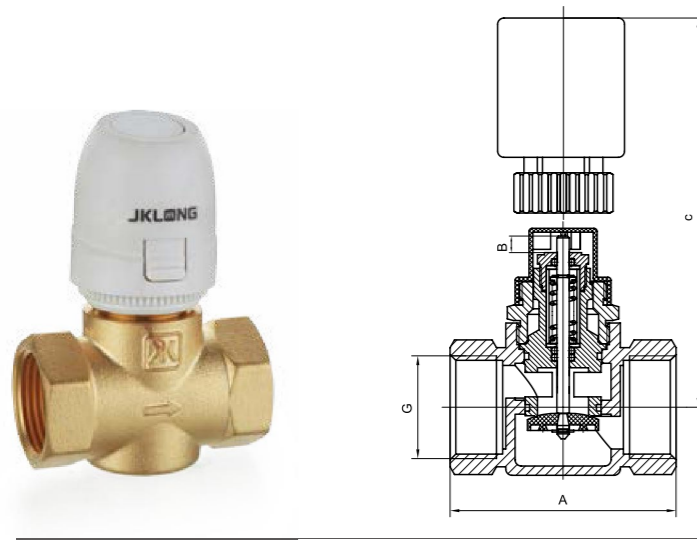
技术规范

公称压力: 1.6MPa  
工作介质: 水、非腐蚀性液体  
强度试验压力: 2.4MPa  
工作温度:  $-10^{\circ}\text{C} \leq t \leq 80^{\circ}\text{C}$

Technical Standard

Nominal Pressure: 1.6 MPa  
Working Medium: Water,  
Non-causticity Liquid  
Pressure of strength testing: 2.4MPa  
Working Temperature:  $-10^{\circ}\text{C} \leq t \leq 80^{\circ}\text{C}$

DN	A	B	C	D	G	F
20	89	12.5	58.8	11	3/4	3/4
25	104	15	73	14	1	1



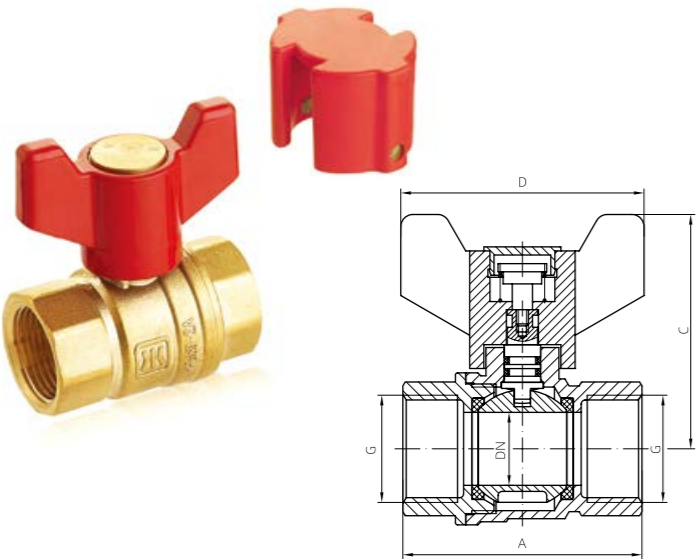
**769** 电热温控调节阀  
Electric Heating Valve

特点

采用电热执行器与截止型阀体结合使用，更加安静，推力稳定。  
采用截止控制，可实现开启高度任意控制。  
驱动器之平面设计可以贴近墙面安装，占用空间小。产品可靠耐用，工作噪音低

技术参数

规格	联接螺纹	工作介质	流体温度	环境温度	公称压力	电气规格
DN25	G1"	冷冻水 / 热水	0-94°C	0-40°C	1.6 MPa	24V(定制) 220V(常规)
DN32	G1 1/4"					



**9269** 黄铜多功能锁式球阀  
Brass Multifunctional Lockable Ball Valve (Q11F-16T)

技术规范

公称压力: 1.6 MPa  
工作介质: 水、非腐蚀性液体  
工作温度: -20°C ≤ t ≤ 110°C  
圆柱管螺纹符合ISO228标准

Technical Standard

Nominal Pressure: 1.6 MPa  
Working Medium: Water, Non-causticity liquid  
Working Temperature: -20°C ≤ t ≤ 110°C  
Parallel Pipe Thread to ISO228

Size	DN	A	C	D	G
20	18	59	58	60	3/4
25	18	71	65	60	1

**279** 黄铜锁式球阀  
Brass Ball Valve With Lock (Q11F-16T)

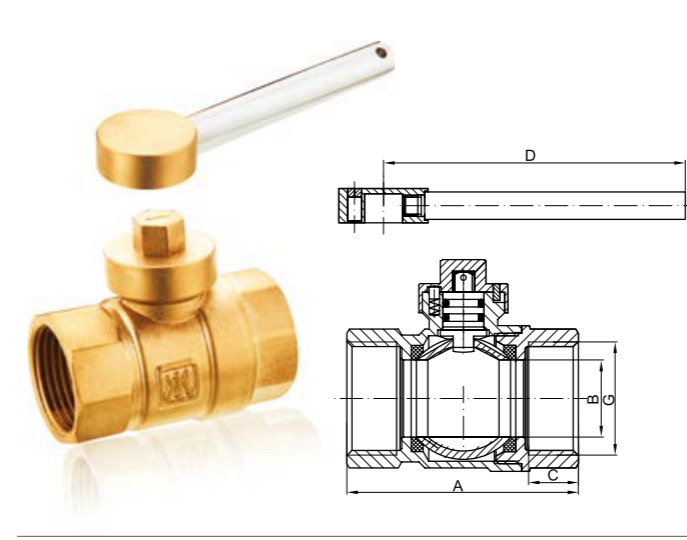
技术规范

公称压力: 1.6 MPa  
工作介质: 水、非腐蚀性液体  
工作温度: -10°C ≤ t ≤ 100°C  
圆柱管螺纹符合ISO228标准

Technical Standard

Nominal Pressure: 1.6 MPa  
Working Medium: Water, Non-causticity liquid  
Working Temperature: -10°C ≤ t ≤ 100°C  
Parallel Pipe Thread to ISO228

DN	A	B	C	D	E	F	G
15	53	12.5	55.5	34.3	84	32	1/2
20	57.5	15	57.5	36.3	84	32	3/4
25	72	23.5	72.6	43.6	160	40	1
32	80	30	77.8	48.8	160	40	1 1/4
40	90.6	37	89.3	56	160	45	1 1/2
50	106	46.5	96.5	63.3	160	45	2



**296** 黄铜磁性锁式球阀  
Brass Magnetic Ball Valve (Q11F-16T)

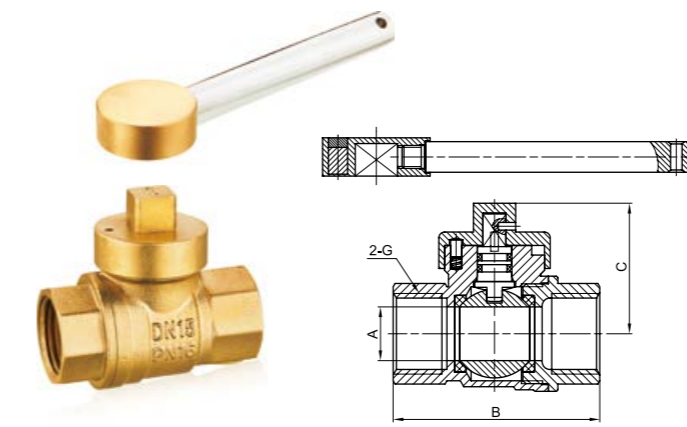
技术规范

公称压力: 1.6 MPa  
工作介质: 水、非腐蚀性液体  
工作温度: -10°C ≤ t ≤ 100°C  
圆柱管螺纹符合ISO228标准

Technical Standard

Nominal Pressure: 1.6 MPa  
Working Medium: Water, Non-causticity liquid  
Working Temperature: -10°C ≤ t ≤ 100°C  
Parallel Pipe Thread to ISO228

DN	A	B	C	D	G
15	52.5	14	12	88	1/2
20	56.5	18	12	88	3/4
25	67.5	22.5	14.5	88	1
32	79	28	15.5	90.5	1 1/4



**289** 黄铜磁性锁式球阀  
Brass Magnetic Lockable Ball Valve (Q11F-16T)

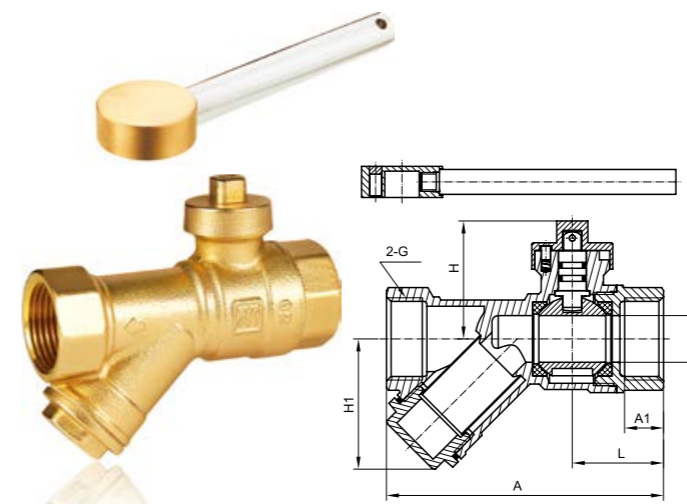
技术规范

公称压力: 1.6 MPa  
工作介质: 水、非腐蚀性液体  
工作温度: -10°C ≤ t ≤ 100°C  
圆柱管螺纹符合ISO228标准

Technical Standard

Nominal Pressure: 1.6 MPa  
Working Medium: Water, Non-causticity liquid  
Working Temperature: -10°C ≤ t ≤ 100°C  
Parallel Pipe Thread to ISO228

DN	SIZE	A	B	C	G
15	1/2	14	53.8	34.5	1/2
20	3/4	19	63	36.2	3/4
25	1	23.5	72	41.9	1



**4807** (供水) 黄铜磁性锁过滤球阀  
Brass Magnetic Lockable Ball Valve with Filter (Q11F-16T)

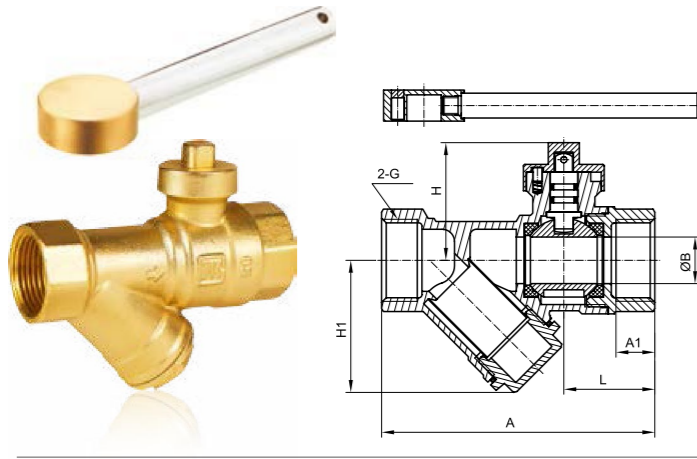
技术规范

公称压力: 1.6 MPa  
工作介质: 水、非腐蚀性液体  
工作温度: -10°C ≤ t ≤ 100°C  
圆柱管螺纹符合ISO228标准

Technical Standard

Nominal Pressure: 1.6 MPa  
Working Medium: Water, Non-causticity liquid  
Working Temperature: -10°C ≤ t ≤ 100°C  
Parallel Pipe Thread to ISO228

DN	A	B	A1	L	H	H1	G
20	89	15	12.5	29.3	37.9	42	3/4
25	103	19	13	32.5	39.4	51.7	1
32	114.8	24	14	35.2	49.5	60.3	1 1/4

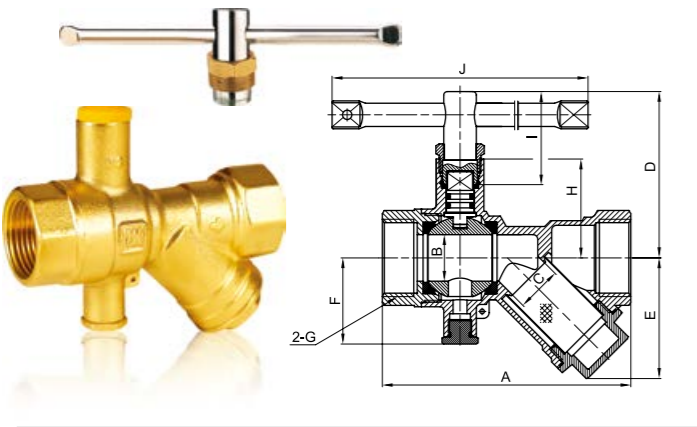


**4808** (回水) 黄铜磁性锁过滤球阀  
Brass Magnetic Lockable Ball Valve with Filter (Q11F-16T)

**技术规范**  
公称压力: 1.6 MPa  
工作介质: 水、非腐蚀性液体  
工作温度: -10°C ≤ t ≤ 100°C  
圆柱管螺纹符合ISO228标准

**Technical Standard**  
Nominal Pressure: 1.6 MPa  
Working Medium: Water, Non-causticity liquid  
Working Temperature: -10°C ≤ t ≤ 100°C  
Parallel Pipe Thread to ISO228

DN	A	B	A1	L	H	H1	G
20	88	15	12.5	29.3	37.9	42.5	3/4
25	102	19	13	32.5	39.4	51.7	1
32	113.8	24	14	35.2	49.5	60.3	1 1/4

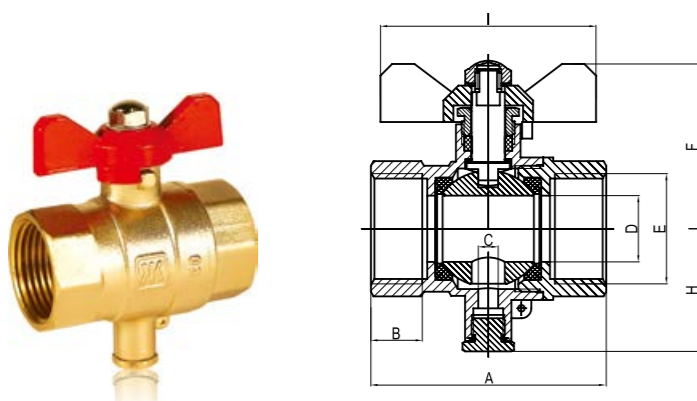


**801** 三合一球阀  
Brass Ball Valve (Q11F-16T)

**技术规范**  
公称压力: 1.6 MPa  
工作介质: 水、非腐蚀性液体、饱和蒸汽(≤0.6MPa)  
工作温度: -10°C ≤ t ≤ 110°C  
圆柱管螺纹符合ISO228标准

**Technical Standard**  
Nominal Pressure: 1.6 MPa  
Working Medium: Water, Non-causticity liquid, Saturated steam(≤0.6MPa)  
Working Temperature: -10°C ≤ t ≤ 110°C  
Parallel Pipe Thread to ISO228

DN	A	B	C	D	E	F	G	H	I	J	过滤网目数
20	89.6	15	14.5	57.5	41.8	33.5	3/4	36.3	32	84	24X24
25	106.8	20	19.5	71.5	51.8	37	1	42.5	40	160	24X24
32	128.5	30	25	77.8	63.8	39.5	1 1/4	48.8	40	160	12X9

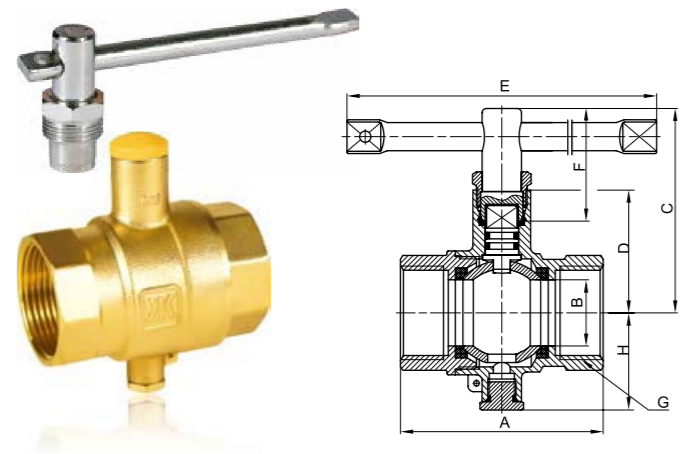


**258** 黄铜测温球阀  
Brass Temperature Measured Ball Valve

**技术规范**  
公称压力: 1.6 MPa  
工作介质: 水、非腐蚀性液体、饱和蒸汽(≤0.6MPa)  
工作温度: -10°C ≤ t ≤ 110°C  
圆柱管螺纹符合ISO228标准

**Technical Standard**  
Nominal Pressure: 1.6 MPa  
Working Medium: Water, Non-causticity liquid, Saturated steam(≤0.6MPa)  
Working Temperature: -10°C ≤ t ≤ 110°C  
Parallel Pipe Thread to ISO228

DN	A	B	C	D	E	F	H	I
15	55.7	13.5	6	12.5	G1/2	40.6	34.5	56.5
20	61	15	6	14	G3/4	42.5	33.5	56.5
25	71	20	6	15.5	G1	49.7	37	65
32	80	30	6	15.5	G1 1/4	64	39.5	144
40	90.6	37	6	16.5	G1 1/2	69	45	144

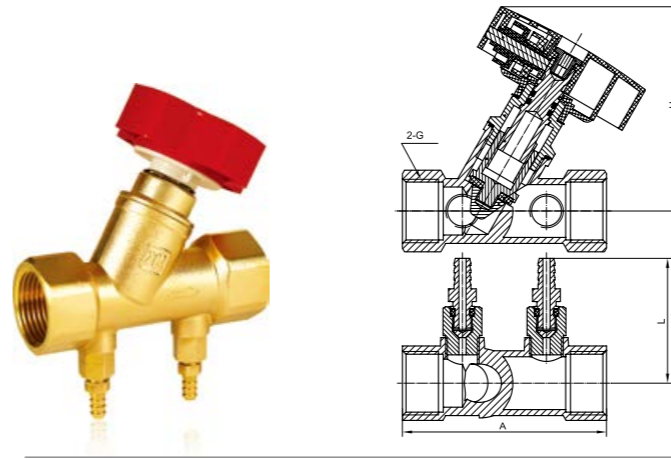


**259** 黄铜锁式球阀  
Brass Ball Valve With Lock (Q11F-16T)

**技术规范**  
公称压力: 1.6 MPa  
工作介质: 水、非腐蚀性液体、饱和蒸汽(≤0.6MPa)  
工作温度: -10°C ≤ t ≤ 100°C  
圆柱管螺纹符合ISO228标准

**Technical Standard**  
Nominal Pressure: 1.6 MPa  
Working Medium: Water, Non-causticity liquid, Saturated steam(≤0.6MPa)  
Working Temperature: -10°C ≤ t ≤ 100°C  
Parallel Pipe Thread to ISO228

DN	A	B	C	D	E	F	G	H
15	53	12.5	55.5	34.3	84	32	1/2	34.5
20	57.5	15	57.5	36.3	84	32	3/4	33.5
25	72	23.5	72.6	43.6	160	40	1	34.5
32	80	30	77.8	48.8	160	40	1 1/4	39.5
40	90.6	37	89.3	56	160	45	1 1/2	45

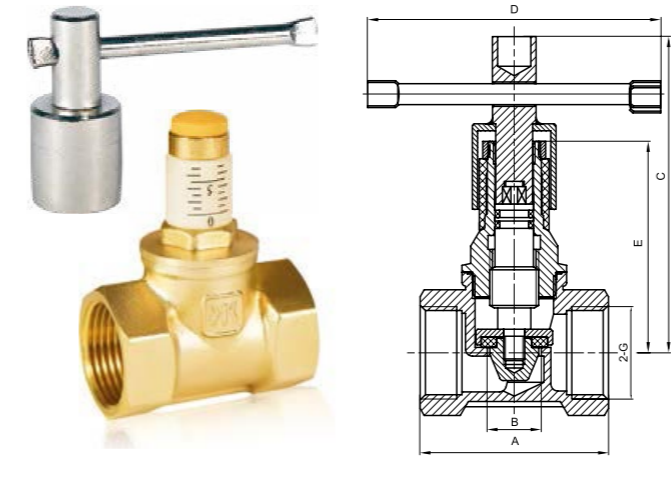


**331** 静态平衡阀  
Static Balanced Valve

**技术规范**  
公称压力: 1.6 MPa  
工作介质: 水、非腐蚀性液体  
工作温度: -10°C ≤ t ≤ 100°C  
圆柱管螺纹符合ISO228标准

**Technical Standard**  
Nominal Pressure: 1.6 MPa  
Working Medium: Water, Non-causticity liquid  
Working Temperature: -10°C ≤ t ≤ 100°C  
Parallel Pipe Thread to ISO228

DN	A	L	H	G
20	85	52	85	3/4
25	107	56	89	1
32	110	60	106.5	1 1/4
40	120	64	117.5	1 1/2
50	128	70	127	2

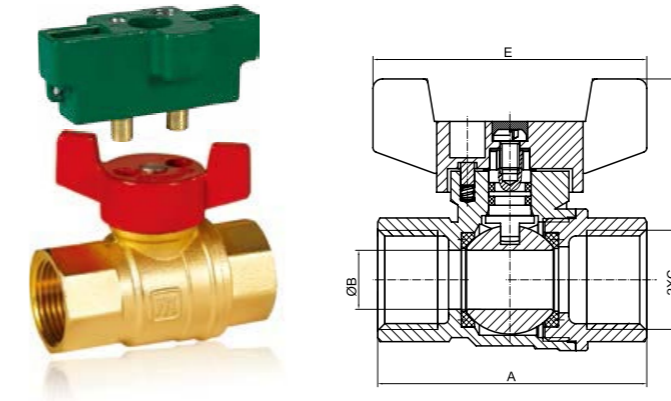


**383** 黄铜带刻度锁式调节阀  
Brass Lockable Adjustable Valve (J11W-16T)

**技术规范**  
公称压力: 1.6 MPa  
工作介质: 水、非腐蚀性液体  
工作温度: -10°C ≤ t ≤ 100°C  
圆柱管螺纹符合ISO228标准

**Technical Standard**  
Nominal Pressure: 1.6 MPa  
Working Medium: Water, Non-causticity liquid  
Working Temperature: -10°C ≤ t ≤ 100°C  
Parallel Pipe Thread to ISO228

DN	SIZE	A	B	C	D	E	G
20	3/4	54	15.5	90.5	84	60.5	3/4
25	1	64	18.5	95.3	84	67.3	1
32	1 1/4	75	24	99.3	84	71.3	1 1/4

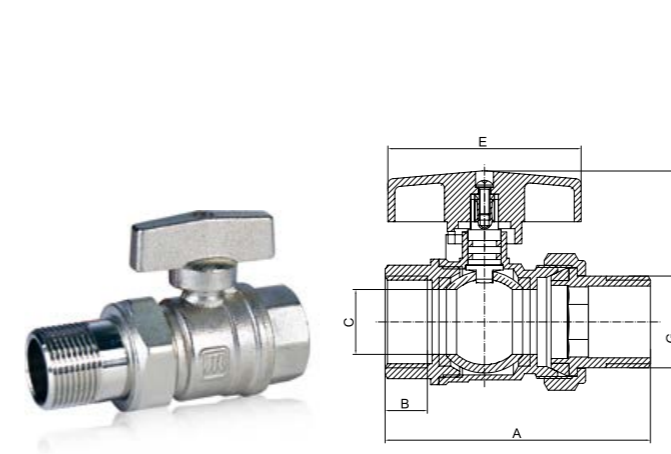


**927701** 热力锁式球阀  
Thermal Lockable Ball Valve (J11W-16T)

**技术规范**  
公称压力: 1.6 MPa  
工作介质: 水、非腐蚀性液体  
工作温度: -10°C ≤ t ≤ 100°C  
圆柱管螺纹符合ISO228标准

**Technical Standard**  
Nominal Pressure: 1.6 MPa  
Working Medium: Water, Non-causticity liquid  
Working Temperature: -10°C ≤ t ≤ 100°C  
Parallel Pipe Thread to ISO228

DN	A	B	C	D	E
15	56.2	14	1/2	43	58
20	67	19	3/4	44	58
25	78.6	23.5	1	51.5	58



**202** 外螺纹活接头球阀  
Ball Valve with Male Thread Connector (J11W-16T)

**技术规范**  
公称压力: 1.6 MPa  
工作介质: 水、非腐蚀性液体  
工作温度: -10°C ≤ t ≤ 100°C  
圆柱管螺纹符合ISO228标准

**Technical Standard**  
Nominal Pressure: 1.6 MPa  
Working Medium: Water, Non-causticity liquid  
Working Temperature: -10°C ≤ t ≤ 100°C  
Parallel Pipe Thread to ISO228

DN	A	B	C	D	E	G
15	73.8	12.7	14	41.2	Ø48	1/2
20	89	15.3	19	44.6	Ø48	3/4
25	95	15.3	23.5	54.5	Ø60	1

# PPR阀门系列

## PPR VALVES SERIES



**9268** 黄铜PPR双活接球阀  
Ball Valve with Double PPR Unions(Q11F-16T)

**技术规范**

公称压力: 1.6 MPa  
工作介质: 水、非腐蚀性液体  
工作温度: -10°C≤t≤100°C

**Technical Standard**

Nominal Pressure: 1.6 MPa  
Working Medium: , Non-causticity liquid  
Working Temperature:-10°C≤t≤100°C

备注: 接头材质可选择 PPR、PB、PERT

DN	A	B	C	D	E
Φ20	81	Φ20	12.5	38.7	90
Φ25	85.3	Φ25	18	42.4	90
Φ32	98.5	Φ32	23.5	54.8	110
Φ40	118.5	Φ40	30	62.6	140.3
Φ50	135.5	Φ50	37	68	140.3



**926801** 蝶柄PPR双活接球阀  
Butterfly Handle Ball Valve with Double PPR Unions(Q11F-16T)

**技术规范**

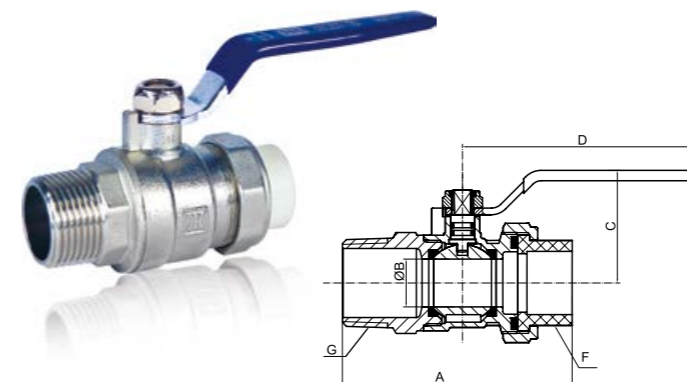
公称压力: 1.6MPa  
工作介质: 水、非腐蚀性液体  
强度试验压力: 2.4MPa  
工作温度: -10°C≤t≤80°C

**Technical Standard**

Nominal Pressure: 1.6 MPa  
Working Medium: Water,  
Non-causticity Liquid  
Pressure of strength testing: 2.4MPa  
Working Temperature:-10°C≤t≤80°C

备注: 接头材质可选择 PPR、PB、PERT

DN	A	B	C	D	E	H
Ø20	81	12.5	47	65	Ø20	Ø20
Ø25	85.3	18	50.7	65	Ø25	Ø25
Ø32	98.5	23.5	60	65	Ø32	Ø32



**9270** 外丝单活接PPR球阀  
Male Thread Ball Valve with Single PPR Union (Q11F-16T)

**技术规范**

公称压力: 1.6MPa  
工作介质: 水、非腐蚀性液体  
强度试验压力: 2.4MPa  
工作温度: -10°C≤t≤100°C

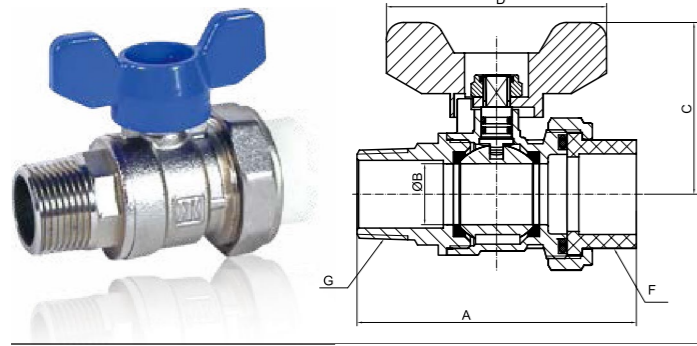
**Technical Standard**

Nominal Pressure: 1.6 MPa  
Working Medium: Water,  
Non-causticity Liquid  
Pressure of strength testing: 2.4MPa  
Working Temperature:-10°C≤t≤100°C

备注: 接头材质可选择 PPR、PB、PERT

DN	A	B	C	D	G	F
1/2XØ20	73.5	Ø12.5	38.7	90	1/2	Ø20
3/4XØ25	82.5	Ø18	42.5	90	3/4	Ø25
1XØ25	86.5	Ø18	42.5	90	1	Ø25
1XØ32	94.2	Ø23.5	55	110	1	Ø32





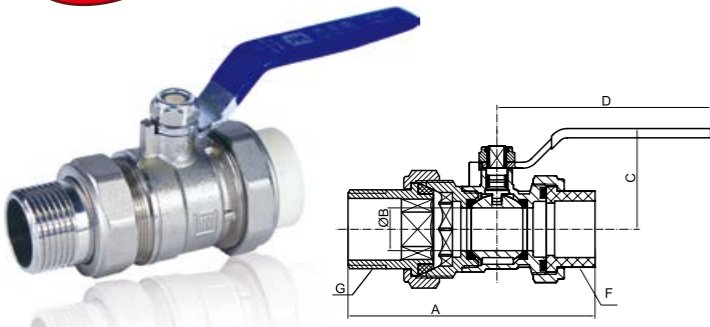
**927001** 蝶柄外丝单活接PPR球阀  
Butterfly Handle Male Thread Ball Valve with Single PPR Union(Q11F-16T)

**技术规范**  
公称压力: 1.6MPa  
工作介质: 水、非腐蚀性液体  
强度试验压力: 2.4MPa  
工作温度: -10°C≤T≤100°C

**Technical Standard**  
Nominal Pressure: 1.6 MPa  
Working Medium: Water, Non-causticity Liquid  
Pressure of strength testing: 2.4MPa  
Working Temperature: -10°C≤T≤100°C

备注: 接头材质可选择 PPR、PB、PERT

DN	A	B	C	D	G	F
1/2XØ20	73.5	Ø12.5	47	65	R1/2	Ø20
3/4XØ25	82.5	Ø18	50.7	65	R3/4	Ø25
1XØ25	86.5	Ø18	50.7	65	R1	Ø25
1XØ32	94.2	Ø23.5	59.8	65	R1	Ø32



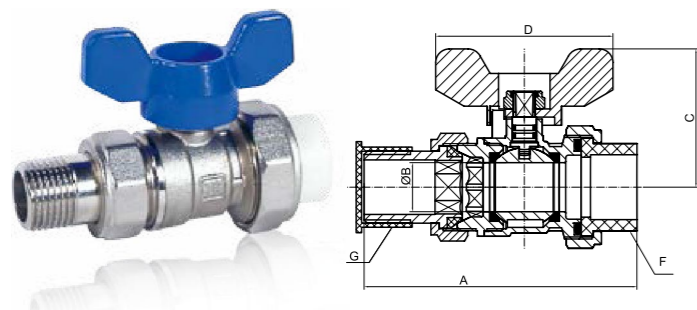
**9271** 外丝双活接PPR球阀  
Male Thread Ball Valve with Double PPR Unions(Q11F-16T)

**技术规范**  
公称压力: 1.6MPa  
工作介质: 水、非腐蚀性液体  
强度试验压力: 2.4MPa  
工作温度: -10°C≤T≤100°C

**Technical Standard**  
Nominal Pressure: 1.6 MPa  
Working Medium: Water, Non-causticity Liquid  
Pressure of strength testing: 2.4MPa  
Working Temperature: -10°C≤T≤100°C

备注: 接头材质可选择 PPR、PB、PERT

DN	A	B	C	D	G	F
1/2XØ20	89	Ø12.5	38.7	90	1/2	Ø20
3/4XØ25	100	Ø18	42.5	90	3/4	Ø25
1XØ25	104	Ø18	42.5	90	1	Ø25
1XØ32	110.5	Ø23.5	55	110	1	Ø32



**927101** 蝶柄外丝双活接PPR球阀  
Butterfly Handle Male Thread Ball Valve with Double PPR Unions(Q11F-16T)

**技术规范**  
公称压力: 1.6MPa  
工作介质: 水、非腐蚀性液体  
强度试验压力: 2.4MPa  
工作温度: -10°C≤T≤100°C

**Technical Standard**  
Nominal Pressure: 1.6 MPa  
Working Medium: Water, Non-causticity Liquid  
Pressure of strength testing: 2.4MPa  
Working Temperature: -10°C≤T≤100°C

备注: 接头材质可选择 PPR、PB、PERT

DN	A	B	C	D	G	F
1/2XØ20	89	Ø12.5	47	65	R1/2	Ø20
3/4XØ25	100	Ø18	50.7	65	R3/4	Ø25
1XØ25	104	Ø18	50.7	65	R1	Ø25
1XØ32	110.5	Ø23.5	59.8	65	R1	Ø32

**205** 蝶柄单活接头PPR球阀  
Brass PPR Ball Valve With Female Union (Q11F-16T)

**技术规范**  
公称压力: 1.6 MPa  
工作介质: 水、非腐蚀性液体  
工作温度: -10°C≤T≤120°C  
圆柱管螺纹符合ISO228标准

**Technical Standard**  
Nominal Pressure: 1.6 MPa  
Working Medium: Water, Non-causticity liquid  
Working Temperature: -10°C≤T≤120°C  
Parallel Pipe Thread to ISO228

备注: 接头材质可选择 PPR、PB、PERT

DN	Size	A	B	C	D	E	G
15	1/2	68	14	41.4	48	19.1	1/2
20	3/4	75	19	44.6	48	24	3/4

**209** 黄铜PPR双活接球阀  
Brass Ball Valve with Double PPR Unions (Q11F-16T)

**技术规范**  
公称压力: 1.6 MPa  
工作介质: 水、非腐蚀性液体  
工作温度: -10°C≤T≤120°C

**Technical Standard**  
Nominal Pressure: 1.6 MPa  
Working Medium: Water, Non-causticity liquid  
Working Temperature: -10°C≤T≤120°C

备注: 接头材质可选择 PPR、PB、PERT

DN	Size	A	B	C	D
15	1/2	40.5	14	41.7	97.5
20	3/4	47	19	44.9	97.5
25	1	53	23.5	55.5	110
32	1 1/4	62	30	61	140
40	1 1/2	75.6	37	66	140
50	2	88	46.5	75	155

**210** 内丝单活接PPR球阀  
Female Thread Ball Valve with Single PPR Union (Q11F-16T)

**技术规范**  
公称压力: 1.6 MPa  
工作介质: 水、非腐蚀性液体  
工作温度: -10°C≤T≤120°C

**Technical Standard**  
Nominal Pressure: 1.6 MPa  
Working Medium: Water, Non-causticity liquid  
Working Temperature: -10°C≤T≤120°C

备注: 接头材质可选择 PPR、PB、PERT

DN	Size	A	B	C	D	E	R
15	1/2	45.8	14	41.7	97.5	12.7	1/2
20	3/4	53	19	44.9	97.5	14.5	3/4
25	1	59.5	23.5	55.5	110	14	1

**204** 蝶柄外丝单活接PPR球阀  
Butterfly Handle Male Thread Ball Valve with Single PPR Union (Q21F-16T)

**技术规范**  
公称压力: 1.6 MPa  
工作介质: 水、非腐蚀性液体  
工作温度: -10°C≤T≤120°C  
圆锥管螺纹符合ISO7-1标准

**Technical Standard**  
Nominal Pressure: 1.6 MPa  
Working Medium: Water, Non-causticity liquid  
Working Temperature: -10°C≤T≤120°C  
Taper Pipe Thread to ISO7-1

备注: 接头材质可选择 PPR、PB、PERT

DN	A	B	C	H	L	R
15	75.5	14	19	41.4	48	1/2
20	84.5	19	24	44.6	48	3/4

**204A** 蝶柄外丝双活接PPR球阀  
Butterfly Handle Male Thread Ball Valve with Double PPR Unions

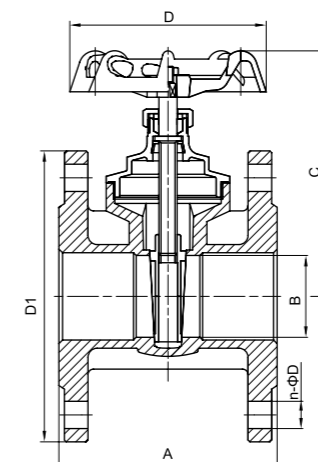
**技术规范**  
公称压力: 1.6 MPa  
工作介质: 水、非腐蚀性液体  
工作温度: -20°C≤T≤100°C  
圆锥管螺纹符合ISO7-1标准

**Technical Standard**  
Nominal Pressure: 1.6 MPa  
Working Medium: Water, Non-causticity liquid  
Working Temperature: -20°C≤T≤100°C  
Taper Pipe Thread to ISO7-1

备注: 接头材质可选择 PPR、PB、PERT

DN	A	B	C	D	E	H
1/2x20	93	14	41	48	G1/2	20
3/4x25	109	19	44.5	48	G3/4	25
1x25	115	19	54	60	G1	25
1x32	121	23.5	54	60	G1	32
1 1/4x40 (长手柄)	140	30	61	140	G1 1/4	40

# 法兰系列 FLANGED VALVES SERIES

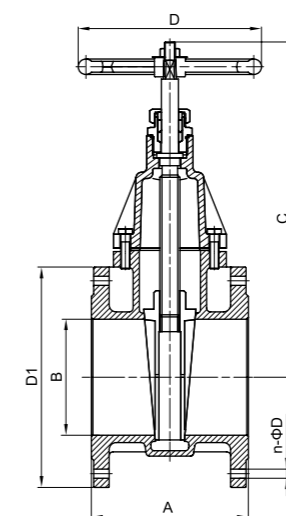


## 106 黄铜法兰闸阀 Brass Flanged Gate Valve (Z45W-16T)

**技术规范**  
公称压力: 1.6 MPa  
工作介质: 水、非腐蚀性液体、饱和蒸汽( $\leq 0.6$ MPa)  
工作温度:  $-20^{\circ}\text{C}$ 至 $150^{\circ}\text{C}$

**Technical Standard**  
Nominal Pressure: 1.6 MPa  
Working Medium: Water, Non-causticity liquid, Saturated steam( $\leq 0.6$ MPa)  
Working Temperature:  $-20^{\circ}\text{C}$ 至 $150^{\circ}\text{C}$

DN	A	B	C	D	D1	$\Phi$ D	n
15	79.5	15	78.5	60	90	14	4
20	88.5	20	88.5	60	100	14	4
25	98.5	25	97.5	60	110	14	4
32	108.5	32	124.3	80	132	18	4
40	118	38	137.5	80	143	18	4
50	116	45	136.5	108	158	18	4
65	137	55.5	166	126	178	18	4
80	157	67.5	196.5	179	193	18	8
100	178	90	239.5	200	213	18	8

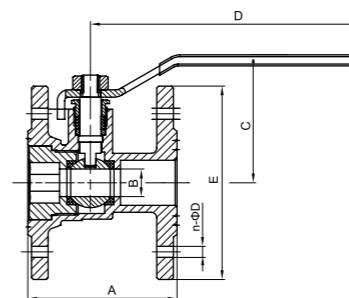


## 106 黄铜法兰闸阀 Brass Flanged Gate Valve (Z45W-16T)

**技术规范**  
公称压力: 1.6 MPa  
工作介质: 水、非腐蚀性液体、饱和蒸汽( $\leq 0.6$ MPa)  
工作温度:  $-20^{\circ}\text{C}$ 至 $150^{\circ}\text{C}$

**Technical Standard**  
Nominal Pressure: 1.6 MPa  
Working Medium: Water, Non-causticity liquid, Saturated steam( $\leq 0.6$ MPa)  
Working Temperature:  $-20^{\circ}\text{C}$ 至 $150^{\circ}\text{C}$

DN	A	B	C	D	D1	$\Phi$ D	n
125	178	125	381.5	237	245	18	8
150	201	150	433.5	237	280	22	8
200	247.5	200	553.5	320	335	22	8

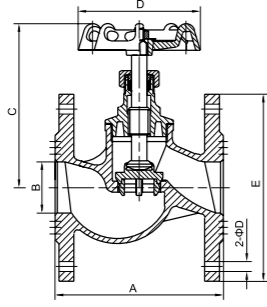


## 240 黄铜法兰球阀 Brass Flanged Ball Valve (Q41F-16T)

**技术规范**  
公称压力: 1.6 MPa  
工作介质: 水、非腐蚀性液体、饱和蒸汽( $\leq 0.6$ MPa)  
工作温度:  $-20^{\circ}\text{C}$ 至 $120^{\circ}\text{C}$   
圆柱管螺纹符合ISO228标准

**Technical Standard**  
Nominal Pressure: 1.6 MPa  
Working Medium: Water, Non-causticity liquid, Saturated steam( $\leq 0.6$ MPa)  
Working Temperature:  $-20^{\circ}\text{C}$ 至 $120^{\circ}\text{C}$   
Parallel Pipe Thread to ISO228

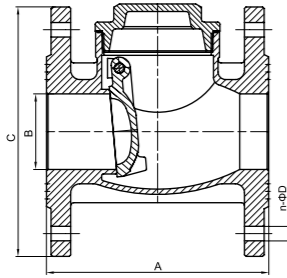
DN	A	B	C	D	E	$\Phi$ D	n
15	78	12	74	157.5	90	14	4
20	78	15	69	157.5	100	14	4
25	81	20	74	157.5	110	14	4
32	87	25	85.5	167.5	132	18	4
40	102	32	93.7	185.9	143	18	4
50	101	40	105.3	185.9	158	18	4
65	104	50	125.5	215	178	18	8
80	124	65	134.8	218.9	193	18	8
100	136	80	151.8	219	213	18	8



**314** 黄铜法兰截止阀  
Brass Flanged Stop Valve (J41W-16T)

**技术规范**      **Technical Standard**  
公称压力: 1.6 MPa      Nominal Pressure: 1.6 MPa  
工作介质: 水、非腐蚀性液体、饱和蒸汽(≤0.6MPa)      Working Medium: Water, Non-causticity Liquid Saturated steam(≤0.6MPa)  
工作温度: -20°C≤t≤150°C      Working Temperature: -20°C≤t≤150°C

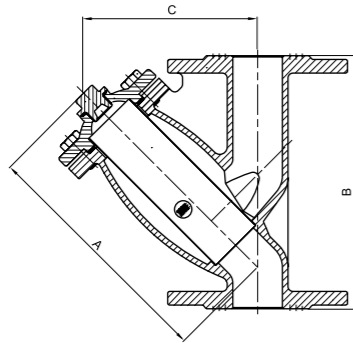
DN	A	B	C	D	E	n	ΦD
15	80	15	79-84	54	90	4	14
20	87	20	87-94	60	100	4	14
25	98	25	94-101	72	110	4	14
32	108	32	114-125.5	80	132	4	18
40	133	41	132-142	100	143	4	18
50	211	50	182	125	158	4	18
65	233	63	194-220	179	177	4	18
80	301	79	290-319	200	193	8	18
100	320	102	338-403	236	213	8	18



**409** 黄铜法兰止回阀  
Brass Flanged Check Valve (H44W-16T)

**技术规范**      **Technical Standard**  
公称压力: 1.6 MPa      Nominal Pressure: 1.6 MPa  
工作介质: 水、非腐蚀性液体、饱和蒸汽(≤0.6MPa)      Working Medium: Water, Non-causticity Liquid Saturated steam(≤0.6MPa)  
工作温度: t≤150°C      Working Temperature: t≤150°C

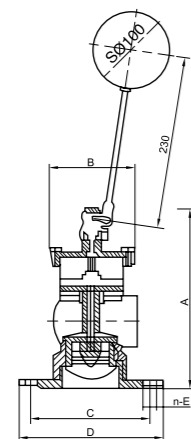
DN	A	B	C	ΦD	n
40	134	40	143	18	4
50	143	50	158	18	4
65	160	65	178	18	4
80	185	80	193	18	8
100	214	100	213	18	8



**603** 黄铜法兰过滤器  
Brass Flanged Strainer (WF41B-16T)

**技术规范**      **Technical Standard**  
公称压力: 1.6 MPa      Nominal Pressure: 1.6 MPa  
工作介质: 水      Working Medium: Water  
工作温度: 0°C≤t≤100°C      Working Temperature: 0°C≤t≤100°C

DN	A	B	C	n	ΦD
15	48	118	45	4	14
20	59	128	56	4	14
25	71	141	50	4	14
32	94.5	173	67	4	18
40	196	206	137	4	18
50	219	242	154.5	4	18
65	251	277	177.5	4	18
80	284	303	201	8	18
100	322	356	227.4	8	18



**902** 黄铜法兰浮球阀  
Brass Floating Ball Actuated Flanged Valve (KXF-6T-A)

**技术规范**      **Technical Standard**  
公称压力: 0.04 MPa≤P≤0.6MPa      Nominal Pressure: 0.04 MPa≤P≤0.6MPa  
工作介质: 水      Working Medium: Water  
工作温度: 0°C≤t≤120°C      Working Temperature: 0°C≤t≤120°C  
联接方式: 法兰      Connecting From: Flange

DN	Size	A	B	C	D	n	E
40	1 1/2	164	63	110	145	4	18
50	2	178	63	125	160	4	18
65	2 1/2	210	112	145	180	4	18
80	3	236	117	160	195	4	18
100	4	262	130	180	215	8	18
150	6	270	159	240	280	8	23
200	8	330	211	295	335	8	23
250	10	520	350	350	390	12	23
300	12	600	425	400	440	12	23

# 给排水阀门系列

## WATER SUPPLY & DRAINAGE VALVES SERIES



闸阀系列  
GATE VALVE SERIES



**1101** 弹性座封闸阀  
Resilient-seated Gate Valve (Z45X)



**1103** 带传动罩弹性座封闸阀  
Elastic-Seat Enclosed Gate Valve (Z45X)



**1105** 明杆弹性座封闸阀  
Soft Sealing Gate Valve (Z41X)



**1119** 磁性锁式丝口弹性座封闸阀  
Magnetic Locking Silk Mouth Resilient-Seated Gate Valve (Z15X)



**1122** 铜芯密封闸阀  
Copper Core Sealed Gate Valve (Z45T)



**1123** 明杆铜芯密封闸阀  
Copper Core Sealed Open Rod Gate Valve (Z41T)



**1149** 磁性锁式弹性座封闸阀  
Magnetic Locking Resilient-Seated Gate Valve (Z45X)



**1168** 丝口弹性座封闸阀  
Silk Mouth Resilient-Seated Gate Valve (Z15X)



**3101** 铸钢硬密封闸阀  
Cast Steel Gate Valve (Z41H)

蝶阀系列  
BUTTERFLY VALVE SERIES



**1501** 对夹式中线蝶阀  
Wafer Center Line-Type Butterfly Valve (D71X)



**1502** 对夹式蜗轮中线蝶阀  
Wafer Worm Gear Center Line-Type Butterfly Valve (D371X)



**1503** 对夹式电动中线蝶阀  
Butt-Clamped Electric Rubber-Lined Butterfly Valve (D971X)



**1512** 法兰式蜗轮中线蝶阀  
Stretch Type Turbine Flange Butterfly Valve (D341X)



**1513** 法兰式蜗轮偏心蝶阀  
Eccentric Flanged Butterfly Valve (D340X)



**1514** 法兰式蜗轮偏心伸缩蝶阀  
Retractable Flange Butterfly Valve (SD340X)



**1511** 对夹式气动中线蝶阀  
Butt-Clamped Pneumatic Rubber-Lined Butterfly Valve (D671X)



**3501** 法兰式蜗轮三偏心蝶阀  
Flange Type Worm Wheel-D Riven Three-Eccentric Center Butterfly Valve (D343H)



**3502** 法兰式气动三偏心蝶阀  
Flange Type Pneumatic Three-Eccentric Center Butterfly Valve (D643H)

止回阀系列  
CHECK VALVE SERIES



**3503** 法兰式电动三偏心蝶阀  
Flange Type Electric Three-Eccentric Center Butterfly Valve (D943H)



**1301** 铸铁截止阀  
Cast Iron Stop Valve (J41T-16)



**3301** 铸钢截止阀  
Cast Steel Stop Valve (J41H-16C)



**1401** 消声止回阀  
Muffle Check Valve (H41X)

水力控制阀系列  
HYDRAULIC CONTROL VALVE SERIES



**1403** 橡胶瓣止回阀  
Rubber Flap Check Valve (H44X)



**1406** 滑动滚式止回阀  
Sliding Roller Type Check Valve (H41X)



**3401** 旋启式止回阀  
Swing Check Valve (H44H)



**1601** 遥控浮球阀  
Remote Control Float Ball Valve (J745X-16Q(100X-16))



1602

减压稳压阀  
Pressure Reducing Valve  
Y42X-16Q(200X-16)



1603

缓闭式止回阀  
Slow Close Check Valve  
HH741X-16Q(300X-16)



1605

持压/泄压阀  
Pressure Relief Valve  
A742X-16Q(500X-16)



1609

多功能水泵控制阀  
Multifunctional Water Pump  
Control Valve(D745X-16Q)

排气阀系列  
Exhaust Valve Series



1705

单口排气阀  
Single Opening Air Venting Valve  
(P11X)



1801

复合式快速排(进)气阀  
Composite Quick Exhaust/Inlet  
Valve(CARX)



1802

复合式排气阀  
Composite Exhaust Valve  
(CARX)

消防阀门系列  
Fire Valve Series



1191

持压/泄压阀  
Pressure Relief Valve  
A742X-16Q(500X-16)



1192

持压/泄压阀  
Pressure Relief Valve  
A742X-16Q(500X-16)



1193

持压/泄压阀  
Pressure Relief Valve  
A742X-16Q(500X-16)



1194

铸铁过滤器  
Y Filters (GL41H-16Q)



1195

铸钢过滤器  
Cast Steel Strainer (GL41H-16C)



1196

数字锁定平衡阀  
Digital Locked Balancing Valve  
(SP45F-16)



1591

KPF 平衡阀  
KPF Balance Valve (KPF-16C)



1592

法兰球阀  
Flange Type Ball Valve(Q41f)



1593

铸钢截止阀  
Cast Steel Stop Valve (J41H-16C)

其它系列  
OTHER SERIES



1594

铸钢截止阀  
Cast Steel Stop Valve (J41H-16C)



1595

自力式压差控制阀  
Pressure Difference Self-Control  
Valve(ZYC-16)



1596

法兰球阀  
Flange Type Ball Valve(Q41f)



1701

铸铁过滤器  
Y Filters (GL41H-16Q)



1803

数字锁定平衡阀  
Digital Locked Balancing Valve  
(SP45F-16)



1804

流量控制阀/自力式平衡阀  
Flow Control Valve/Self Balancing  
Valve(ZL47F-16Q)



1805

自力式压差控制阀  
Pressure Difference Self-Control  
Valve(ZYC-16)



1806

橡胶软接头  
Flexible rubber joint  
(KDTF)



1807

防污隔断阀  
The Anti Pollution Isolating  
Valve(HS41X-16Q)



1808

倒流防止器  
Backflow Preventers  
(DF41-16Q)



1809

水锤吸纳器  
Water-hammer Arrestor  
(XNQ4X)



3210

法兰球阀  
Flange Type Ball Valve  
(Q41f)



3606

铸钢过滤器  
Cast Steel Strainer  
(GL41H-16C)



3801

KPF 平衡阀  
KPF Balance Valve  
(KPF-16C)



3802

减震式波纹补偿器  
Corrugated Compensator  
(HYBN)



3807

限位伸缩器  
Limit extender  
(VSSJA)

# 小五金系列 HARDWARE SERIES

小五金系列  
HARDWARE SERIES

JKLONG 杰克龙®



**708-L** 水嘴  
Bibcock



**219** 黄铜直角球阀(球芯三角阀)  
Brass Right Angle Ball Valve (Q24F-16T)



**501** 黄铜球芯水咀  
Brass Ball Core Tap



**S710** 水嘴  
Bibcock



**S705** 水嘴(洗衣机)  
Bibcock for Washing Machine



**S708** 水嘴  
Bibcock



**SJ-805** 陶瓷三角阀  
Ceramic Triangle Valve



**SJ-806** 陶瓷三角阀  
Ceramic Triangle Valve



**407** 地漏  
Floor Drain



**411** 地漏  
Floor Drain



**412** 地漏  
Floor Drain



翻板下水  
Po-plug



不锈钢编织管  
Stainless Braided Hose



波纹管  
Wave Hose

# 水表系列

## WATER METERS SERIES



### 水表系列

#### WATER METERS SERIES

JKLONG 杰克龙®



旋翼式立式冷水水表  
Rotary vertical water meter  
/LXSL-15E~25E

#### 主要技术参数 Technical Specifications

公称口径 DN(mm)	GB/T778.1-2007(新国标)						
	最小流量 Q <sub>1</sub> (m <sup>3</sup> /h)	分界流量 Q <sub>2</sub> (m <sup>3</sup> /h)	常用流量 Q <sub>3</sub> (m <sup>3</sup> /h)	过载流量 Q <sub>4</sub> (m <sup>3</sup> /h)	Q <sub>3</sub> /Q <sub>1</sub>	Q <sub>2</sub> /Q <sub>1</sub>	Q <sub>4</sub> /Q <sub>1</sub>
15	0.025	0.04	2.5	3.125	1.25	1.6	100
20	0.04	0.064	4.0	5.0			100
25	0.063	0.1008	6.3	7.875			100

#### 外型尺寸及重量 Dimension & Weight

型号	口径 (mm)	长 L (mm)	宽 B1 (mm)	宽 B2 (mm)	高 H (mm)	连接螺纹 (D)	重量 (kg)
LXSL-15E	15	96	96	142	107	G 3/4B	1.7
LXSL-20E	20	100	96	157	109	G 1B	2.1
LXSL-25E	25	110	103	162	111	G 1 1/4B	3.1



旋翼式干式水表  
Rotary dry type water meter  
/LXSG-15E~50E

#### 特点 Feature

各种性能和计量精度达到ISO 4064 2级标准;  
Various performance and measuring accuracy meet the standard of ISO 4064 2;  
多流束、干式、磁性传动;  
Multi-jet, Dry-type, Magnetic transmission  
计数器采用真空密封, 防冷凝雾化, 可长期保持读数清晰。  
The counter adopts vacuum seal & anti-condensate atomization, providing clear reading for long time.

#### 使用条件 Conditions of usage

水温≤30°C, 水压≤1MPa  
Water temperature ≤30°C, Water pressures ≤1 MPa

#### 最大允许误差 Maximum permissible tolerance

从最小流量(包括Q<sub>1</sub>)到分界流量(不包括Q<sub>2</sub>)的低区为±5%  
±5% From minimum flow (including Q<sub>1</sub>) to transitional flow (excluding Q<sub>2</sub>)  
从分界流量(包括Q<sub>2</sub>)到过载流量(包括Q<sub>4</sub>)的高区为±2%  
±2% From transitional flow (including Q<sub>2</sub>) to overload flow (including Q<sub>4</sub>)

#### 特点 Feature

各种性能和计量精度达到ISO 4064 2级标准;  
Various performance and measuring accuracy meet the standard of ISO 4064 2;  
垂直安装, 具有安装方便, 节省材料, 泥沙不易侵入等优点。  
Easy vertical installation, material saving, against sediment invasion.

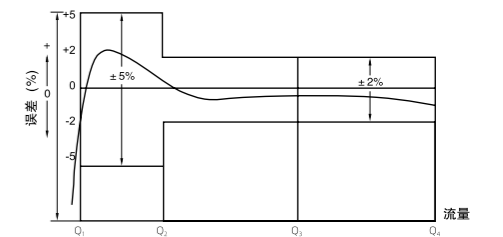
#### 使用条件 Conditions of usage

水温≤30°C, 水压≤1MPa  
Water temperature ≤30°C, Water pressures ≤1 MPa

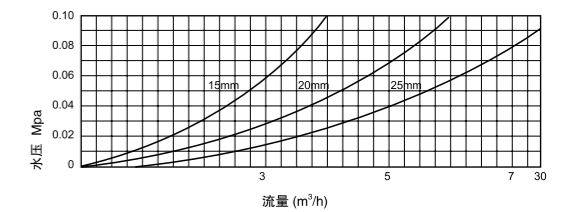
#### 最大允许误差 Maximum permissible tolerance

从最小流量(包括Q<sub>1</sub>)到分界流量(不包括Q<sub>2</sub>)的低区为±5%  
±5% From minimum flow (including Q<sub>1</sub>) to transitional flow (excluding Q<sub>2</sub>)  
从分界流量(包括Q<sub>2</sub>)到过载流量(包括Q<sub>4</sub>)的高区为±2%  
±2% From transitional flow (including Q<sub>2</sub>) to overload flow (including Q<sub>4</sub>)

#### 性能误差曲线 Performance tolerance curve



#### 压力损失曲线 Pressure loss curve



#### 主要技术参数 Technical Specifications

公称口径 DN(mm)	最小流量 (L/h)	分界流量 (L/h)	常用流量 (m <sup>3</sup> /h)	过载流量 (m <sup>3</sup> /h)	Q <sub>3</sub> /Q <sub>1</sub>	Q <sub>2</sub> /Q <sub>1</sub>	Q <sub>4</sub> /Q <sub>1</sub>
15	50	80	2.5	3.125	50	1.25	1.6
	40	64			63		
	31	50			80		
20	80	128	4	5	50	1.25	1.6
	63	101			63		
	50	80			80		
25	126	202	6.3	7.875	50	1.25	1.6
	100	160			63		
	79	126			80		
32	200	320	10	12.5	50	1.25	1.6
	159	254			63		
	125	200			80		
40	320	512	16	20	50	1.25	1.6
	254	406			63		
	200	320			80		
50	500	800	25	31.25	50	1.25	1.6
	397	635			63		
	313	501			80		

#### 外型尺寸及重量 Dimension & Weight

型号	口径 (mm)	长 L (mm)	宽 B (mm)	高 H (mm)	连接螺纹 (D)	重量 (kg)
LXSG-15E	15	165	99	104	G 3/4B	1.5
LXSG-20E	20	195	99	106	G 1B	1.7
LXSG-25E	25	225	104	120	G 1 1/4B	2.4
LXSG-32E	32	230	104	120	G 1 1/2B	2.8
LXSG-40E	40	245	125	155	G 2B	5.1
LXSG-50E	50	280	158	175	法兰连接按GB42164-84 Connecting flange conform to GB42164-84	14



旋翼式湿式冷水表/LXS-15E~50E  
Rotary wet-type cold water meter

特点 Feature

具有计量精度高、始动流量小，能保持计数机构的满灌(充满水)，防污性好、抄读方便、外形美观、安全卫生、寿命长等特点。  
High measurement accuracy, small starting flow, keep the counting facility filled with water, anti-fouling, easy reading, nice appearance, safety and health, reliable quality.

使用温度 常温: 0~30°C  
Temperature of usage: Normal temperature 0~30°C

公称压力 ≤1.0MPa Nominal pressure ≤1.0 MPa

压力损失 ≤0.063MPa Pressure loss ≤0.063 MPa

示值误差限 Indication tolerance

在水温0.1°C至30°C范围内，水表的允许误差在高中区(Q<sub>2</sub>≤Q≤Q<sub>4</sub>)为±2%，低区(Q<sub>1</sub>≤Q<Q<sub>2</sub>)为±5%。  
Range from 0.1°C to 30°C, the maximum permissible tolerance is ±2% in high limits (Q<sub>2</sub>≤Q≤Q<sub>4</sub>), and ±5% in low limits (Q<sub>1</sub>≤Q<Q<sub>2</sub>).

主要技术参数 Technical Specifications

公称口径 DN(mm)	GB/T778.1-2007(新国标)						
	最小流量 Q <sub>1</sub> (m <sup>3</sup> /h)	分界流量 Q <sub>2</sub> (m <sup>3</sup> /h)	常用流量 Q <sub>3</sub> (m <sup>3</sup> /h)	过载流量 Q <sub>4</sub> (m <sup>3</sup> /h)	Q <sub>2</sub> /Q <sub>1</sub>	Q <sub>3</sub> /Q <sub>1</sub>	
15	0.025	0.04	2.5	3.125	1.25	1.6	100
20	0.04	0.064	4.0	5.0			100
25	0.063	0.1008	6.3	7.875			100
32	0.1	0.16	10	12.5			100
40	0.16	0.256	16.0	20.0			100
50	0.25	0.4	25.0	31.25			100

(旋翼式湿式冷水表)外型尺寸及重量 (Rotary wet-type cold water meter) Dimension & Weight

型号	口径 (mm)	长 L (mm)	宽 B (mm)	高 H (mm)	连接螺纹 (D)	重量 (Kg)
LXS-15E	15	165	99	104	G 3/4B	1.5
LXS-20E	20	195	99	106	G 1B	1.7
LXS-25E	25	225	104	120	G 1 1/4B	2.4
LXS-32E	32	230	104	120	G 1 1/2B	2.8
LXS-40E	40	245	125	155	G 2B	5.1
LXS-50E	50	280	158	175	法兰连接按GB42164-84	14

(旋翼式热水表)外型尺寸及重量 (Rotary hot water meter) Dimension & Weight

型号	口径 (mm)	长 L (mm)	宽 B (mm)	高 H (mm)	连接螺纹 (D)	重量 (Kg)
LXSR-15E	15	165	99	104	G 3/4B	1.5
LXSR-20E	20	195	99	106	G 1B	1.7
LXSR-25E	25	225	104	120	G 1 1/4B	2.4
LXSR-32E	32	230	104	120	G 1 1/2B	2.8
LXSR-40E	40	245	125	155	G 2B	5.1



旋翼式热水表/LXSR-15E~40E  
Rotary hot water meter

特点 Feature

各种性能和计量精度达到ISO 4064 2级标准;  
Various performance and measurement accuracy meet the standard of ISO 4064 B.

用途 Application

用于计量流经管道的水体积的总量。  
For counting the total volume of hot water flowing through the pipelines.

使用温度 ≤90°C Temperature of usage ≤90°C

公称压力 ≤1.0MPa Nominal pressure ≤1.0 MPa

压力损失 ≤0.1MPa Pressure loss ≤0.1 MPa

示值误差限 Indication tolerance

水温超过30°C时，水表在高区的最大允许误差(Q<sub>2</sub>≤Q≤Q<sub>4</sub>)为±3%，低区(Q<sub>1</sub>≤Q<Q<sub>2</sub>)为±5%。  
When the water temperature exceeds 30°C, the maximum permissible tolerance is ±3% in high limits (Q<sub>2</sub>≤Q≤Q<sub>4</sub>), and ±5% in low limits (Q<sub>1</sub>≤Q<Q<sub>2</sub>).

主要技术参数 Technical Specifications

水表 代号	公称口径 DN(mm)	计量等级	标准流量点(m <sup>3</sup> /h)			
			最小流量Q <sub>min</sub>	分界流量Q <sub>1</sub>	常用流量Q <sub>3</sub>	过载流量Q <sub>4</sub>
N1.5	15	B级	0.03	0.12	1.5	3
N2.5	20	B级	0.05	0.2	2.5	5
N3.5	25	B级	0.07	0.28	3.5	7
N6	32	B级	0.12	0.48	6	12
N10	40	B级	0.2	0.8	10	20



旋翼式液封水表(带止回阀)/LXSY-15E~25E  
Rotary hydraulic sealing water meter (with check valve)

特点 Feature

1、本系列分为半液封和全液封两种，其计数机构字轮及表面由特殊液体封装，同时具有湿式水表始动流量小，干式水表可长期保持读书清晰的优点，也不受水质影响，永久保持读书清晰，特别适用于水质较差的管网。

1、This series includes semi-liquid seal and liquid seal. The digital facility and surface sealed by special liquid, enjoying the advantage of small starting flow and clear reading for long term, avoiding affection of water quality, especially for pipe network with poor water quality.

2、进水端采用止回阀结构，倒装不能正常用水，能够防止倒流。  
2、The water inlet adopts the structure of check valve, prevents backflow.

3、该水表灵敏度极高，能起到节水、滴水计量的作用。  
3、High sensitivity, save water, meter by drop of water.

使用温度 常温: 0~30°C

Temperature of usage: Normal temperature 0~30°C

公称压力 ≤1.0MPa Nominal pressure ≤1.0 MPa

压力损失 ≤0.063MPa Pressure loss ≤0.063 MPa

示值误差限 Indication tolerance

在水温0.1°C至30°C范围内，水表的允许误差在高中区(Q<sub>1</sub>≤Q≤Q<sub>4</sub>)为±2%，低区(Q<sub>1</sub>≤Q<Q<sub>2</sub>)为±5%。  
Range from 0.1°C to 30°C, the maximum permissible tolerance is ±2% in high limits (Q<sub>1</sub>≤Q≤Q<sub>4</sub>), and ±5% in low limits (Q<sub>1</sub>≤Q<Q<sub>2</sub>).

主要技术参数 旋翼式液封水表(带止回阀)

Technical Specifications Rotary hydraulic sealing water meter (with check valve)

公称口径 DN(mm)	最小流量 Q <sub>1</sub> (m <sup>3</sup> /h)	分界流量 Q <sub>2</sub> (m <sup>3</sup> /h)	常用流量 Q <sub>3</sub> (m <sup>3</sup> /h)	过载流量 Q <sub>4</sub> (m <sup>3</sup> /h)	Q <sub>3</sub> /Q <sub>1</sub>	最小读数 (m <sup>3</sup> )	最大读数 (m <sup>3</sup> )
31	50	80					
25	40	100					
20	80	128	4.0	5.0	50	0.0001	99999
50	80	80					
40	64	100					

(旋翼式液封水表)外型尺寸及重量

(Rotary hydraulic sealing water meter) Dimension & Weight

型号	口径 (mm)	长 L (mm)	宽 B (mm)	高 H (mm)	连接螺纹 (D)	重量 (Kg)
LXSY-15E	15	165	99	109	G 3/4B	1.5
LXSY-20E	20	195	99	111	G 1B	1.7
LXSY-25E	25	225	104	120	G 1 1/4B	2.4

(水平螺翼式湿式冷(热)水表)外型尺寸及重量

Level screw wing- wet cold (hot) water meter Dimension & Weight

型号	口径 (mm)	长 L (mm)	高 H (mm)	连接法兰			重量 (Kg)
				法兰外径 (mm)	螺栓孔中心圆直径 (mm)	连接栓数量 (pcs.)	
LXL-80E	80	223	228	195	160	8XM16	14
LXL-100E	100	250	244	215	180	8XM16	16.5
LXL-150E	150	300	295	280	238	8XM20	28
LXL-200E	200	350	366	340	283	8XM20	42



水平螺翼式冷(热)水表/LXL(R)-80E~200E  
Level screw wing- wet cold (hot) water meter

特点 Feature

各项技术指标符合ISO 4064 2级标准(热水表为A级)

计数器为指针加字轮组合(E型);  
有冷、热水表(R型)可供客户选择;  
结构简单、先进、价格低;  
流通能力大、压力损失小

The technical specifications meet the standard of ISO 4064 2 (A level for hot water meter);  
The counter is a combination of pointer-plus-word round (E type);  
Cold or hot water meter (R type) for your choice;  
Simple structure and competitive price.  
High flow capacity and low pressure loss.

使用条件 Conditions of usage

使用温度: 0.1°C≤T≤30°C (热水表30°C≤T≤90°C)  
Water temperature 0.1°C≤T≤30°C (Hot water meter 30°C≤T≤90°C)  
公称压力: 1.0MPa  
Nominal pressure: 1.0 MPa

最大允许误差 Maximum permissible tolerance

从最小流量(包括Q<sub>1</sub>或Q<sub>min</sub>)到分界流量(不包括Q<sub>2</sub>或Q<sub>1</sub>)的低区为±5%  
±5% From minimum flow (including Q<sub>1</sub> / Q<sub>min</sub>) to transitional flow (excluding Q<sub>2</sub> / Q<sub>1</sub>)  
从分界流量(包括Q<sub>2</sub>或Q<sub>1</sub>)到过载流量(包括Q<sub>4</sub>或Q<sub>3</sub>)的高区为±2%  
±2% From transitional flow (including Q<sub>2</sub> / Q<sub>1</sub>) to overload flow (including Q<sub>4</sub> / Q<sub>3</sub>)

主要技术参数 (水平螺翼式热水表)

Technical Specifications Level screw wing- wet hot water meter

公称口径 DN(mm)	计量等级	标准流量点(m <sup>3</sup> /h)			
		最小流量Q <sub>min</sub>	分界流量Q <sub>1</sub>	常用流量Q <sub>3</sub>	过载流量Q <sub>4</sub>
80	A级	3.2	12	40	80
100	A级	4.8	18	60	120
150	A级	12	45	150	300
200	A级	20	75	250	500

主要技术参数 (水平螺翼式冷水表)

Technical Specifications Level screw wing- wet cold water meter

型号	公称口径 DN(mm)	最小流量 Q <sub>1</sub> (m <sup>3</sup> /h)	分界流量 Q <sub>2</sub> (m <sup>3</sup> /h)	常用流量 Q <sub>3</sub> (m <sup>3</sup> /h)	过载流量 Q <sub>4</sub> (m <sup>3</sup> /h)	Q <sub>2</sub> /Q <sub>1</sub>	Q <sub>3</sub> /Q <sub>1</sub>	量程比 Q <sub>4</sub> /Q <sub>1</sub>
LXL-100E	100	4	6.4	160	200	40		
LXL-150E	150	6.25	10	250	312.5	40		
LXL-200E	200	10	16	400	500	40		





**830** 先导式电磁阀  
Solenoid Valve  
(Z45X)



**831** 直动式电磁阀  
Solenoid Valve  
(Z45X)



**9258** 测温球阀  
Temperature Measuring Ball  
Valve (Z41X)



**9259** 测温锁式球阀  
Temperature Measuring Lockable  
Ball Valve (Z15X)



**216** 黄铜球阀  
Brass Ball Valve (Q11F-20T)



**251** 黄铜内外螺纹球阀  
Brass Ball Valve MF  
(Q11F-16T)



**705X** 黄铜排气阀  
Brass Exhausting Valve



**274** 黄铜双头卡套球阀  
Brass Ball Valve With Connectors  
(Q19F-16T)



**275** 黄铜内螺纹单头卡套球阀  
Brass Ball Valve With Connector  
(Q19F-16T)



**292** 黄铜球阀  
Brass Ball Valve  
(Q11F-16T)



**343** 黄铜回水锁断阀  
Brass Check Backwater Valve  
(J34W-16T)



**344** 黄铜回水锁断阀  
Brass Check Backwater Valve  
(J31W-16T)



**257** 小球阀  
Brass Mini Ball Valve  
(Q31F-16T)



**213** 黄铜球阀  
Brass Ball Valve (Q11F-20T)



**282** 暖气三通球阀  
Brass 3-Way Ball Valve  
(For Heated-air Use) (Q35F-16T)



**258A** 黄铜球阀  
Brass Ball Valve  
(Q11F-16T)



**116** 黄铜异径闸阀  
Brass Reduced Gate Valve  
(Z15W-16T)



**125** 黄铜锁式闸阀  
Brass Lockable Gate Valve  
(Z15W-16T)



- 在产品保修期内及寿命期之内保证提供需方所需的备品备件。
- 我方保证需方的时间要求，选派专业的工程技术人员到产品安装现场协助安装、调试工作，直到产品正常使用。
- 产品发货后，供方承诺十八个月的质量保证期，并保证产品寿命期内的维修，当需方需要时，保证接到通知后在二十四小时内，派专业的维修人员到达现场。当需方按规定的方式、方法正常操作使用时，若出现产品设计、材料或工艺质量造成的损坏由供方负责免费修理，更换部分零部件以至更新产品。
- 急用户所急，想用户所想，备有大量库存，随时满足客户需求。做到库房搬到家，服务做到家的宗旨。

- Offer the store what our customer demand in the period of guarantee.
- Detail the professional technician help the customers setting and debugging the professional technician.
- Help the customers setting and debugging the product until the machine use normally. If our customers suffer olosing for our design, material. or quality of product, we will repair for your product free of change.
- We think what our customers think, our company has a mass of in stock. and we are satisfied your demands monmently. We can offer our product and service to where you demands.

服务理念

优质 专业 健康

Service Concept  
High quality, Professional, Healthiness



本着合作、创新、优质服务和健康的经营理念，建立健全完善的销售网络，配合高效务实的销售团队，提供良好的售后服务。

We observe cooperation, innovations, high-quality services and healthy business concept has established a perfect sales network, and with efficient and practical sales team, provide excellent aftersales services.

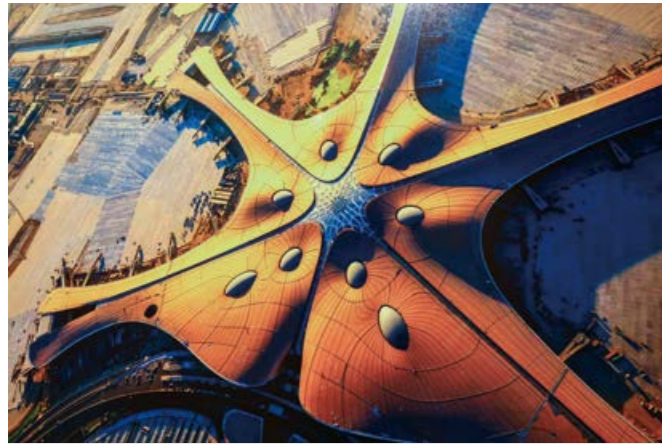


目前公司销售网络遍布全国32个省市自治区，在北京、上海、广州、重庆、南京、郑州、沈阳、福州、杭州、长沙、济南等地设立了分公司或办事处，销售网点近400家，保证产品的及时送达，提供优质周到的送货及售后服务。

Jiekelong has sales network which covers 32 provinces and municipalities, set up branch office in Beijing, Shanghai, Guangzhou, Chongqing, Nanjing, Zhengzhou, Shenyang, Fuzhou, Hangzhou, Changsha, Jinan and etc., which in total open about 400 sales outlets. In this way, we can provide you on-time delivery and excellent after-sales service.

# 服务过的部分代表性工程

## SOME REPRESENTATIVE ENGINEERING SERVICES



北京大兴机场



北京奥运主体育场



上海环球金融中心



杭州广电中心



万达广场

- |              |                  |
|--------------|------------------|
| 北京奥运主体育场(鸟巢) | 内蒙古自治区科技馆新馆      |
| 奥运村          | 内蒙古留学生创业园        |
| 奥运媒体中心       | 呼市东岸国际           |
| 北京电视台        | 西藏人民医院           |
| 丰台体育馆        | 西藏人民政府           |
| 中央组织部办公楼     | 上海环球金融中心(亚洲第一高楼) |
| 北京国际金融中心     | 上海月星环球商业中心       |
| 北京国际会展中心     | 上海普陀区体育馆         |
| 北京科技会展中心     | 上海虹口SOHO项目       |
| 北京电视台新址      | 上海移动通信大楼         |
| 北京天通苑        | 上海佘山高尔夫别墅        |
| 中海紫金苑        | 上海滨江花园           |
| 北京世界大学生运动村   | 上海中凯城市之光         |
| 内蒙古自治区人民医院   | 上海仁恒滨江花园         |

- |             |              |
|-------------|--------------|
| 青岛万象城       | 南昌市政府接待中心    |
| 威海山花集团      | 哈尔滨富力城       |
| 武汉东湖高科技会展中心 | 哈尔滨松花江凯莱商务酒店 |
| 武汉市第一医院     | 哈尔滨金谷大厦      |
| 武汉财政厅大厦     | 大庆创业城        |
| 长沙广电中心      | 大庆绿地金融中心     |
| 长沙保利国际广场    | 大庆绿城分公司      |
| 长沙西客站       | 大连九洲华美达酒店    |
| 长沙华远华中心     | 大连圣亚海洋世界     |
| 合肥中科院办公楼    | 大连都市海景大厦     |
| 合肥元一希尔登大酒店  | 沈阳全运村        |
| 合肥恒大中央广场    | 沈阳新世界花园      |
| 淮北恒大名都      | 沈阳中润花园       |
| 南昌大学城       | 西安天郎地产集团公司   |

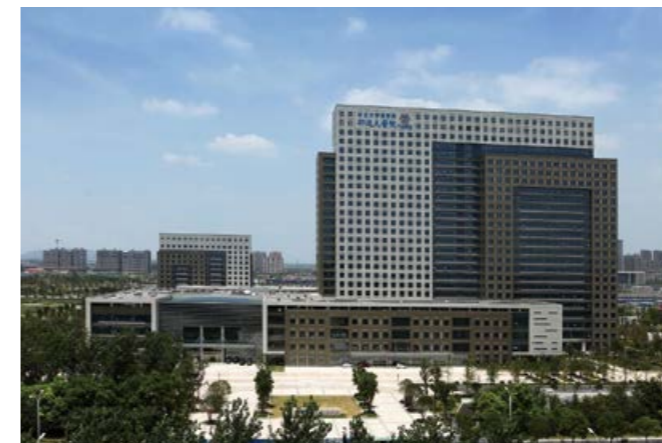


厦门国际会展中心

- |           |             |
|-----------|-------------|
| 广州南方通信大楼  | 杭州广利大厦      |
| 广州金田广场    | 杭州广电中心      |
| 广州邮电大厦    | 衢州恒大御景半岛    |
| 广州市锦绣生态园  | 嘉兴江南摩尔国际商业城 |
| 广州火车站     | 福州五一广场      |
| 深圳宝安机场    | 福建海峡国际会展中心  |
| 深圳星河传说    | 福州万达广场      |
| 海南省国税办公大楼 | 山东三联阳光舜城    |
| 海口环球大酒店   | 山东齐鲁医院      |
| 广西保利城     | 厦门佰翔酒店      |
| 广西华南城     | 厦门国际会展中心    |
| 广西荣和中央公园  | 济南奥体中心      |
| 浙江省邵逸夫医院  | 济南军通信总站住宅楼  |
| 浙江省第二医院   | 济南高铁站       |



济南奥体中心



浙江邵逸夫医院

- |            |             |
|------------|-------------|
| 西安富力城地产    | 吉林省政府枫林园    |
| 西安华远海蓝城    | 长春保利罗兰香谷    |
| 西安华远君城     | 长春中信城       |
| 河南省第一人民医院  | 南京雨润国际广场    |
| 河南科技大学     | 南京金陵饭店      |
| 洛阳市华阳国际大酒店 | 苏州体育中心      |
| 洛阳建业龙城     | 江都洪泉医院      |
| 山西省大剧院     | 苏州体育中心      |
| 山西省省政府办公楼  | 重庆上海城       |
| 太原市十二院城    | 重庆(申基)威斯汀酒店 |
| 太原市鼎晨地产    | 成都中海城南1号    |
| 长春翡翠华庭     | 成都宏誉环球汇     |
| 长春绿地中央公园   | 九寨沟黄龙贵宾楼    |
| 吉林市世贸广场    | 贵阳国际会议展览中心  |